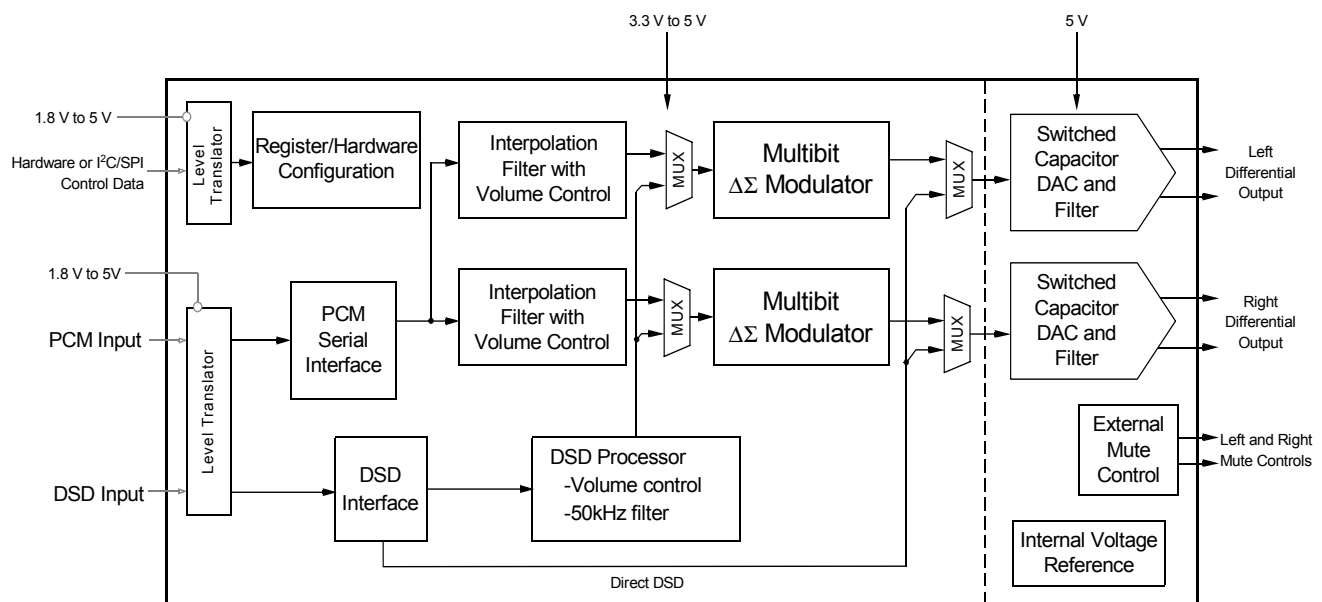


## 120 dB, 192 kHz Multi-Bit DAC with Volume Control

### Features

- ◆ Advanced Multi-bit Delta-Sigma Architecture
  - 120 dB Dynamic Range
  - -107 dB THD+N
  - Low Clock Jitter Sensitivity
  - Differential Analog Outputs
- ◆ PCM input
  - 102 dB of Stopband Attenuation
  - Supports Sample Rates up to 192 kHz
  - Accepts up to 24 bit Audio Data
  - Supports All Industry Standard Audio Interface Formats
  - Selectable Digital Filter Response
  - Volume Control with 1/2 dB Step Size and Soft Ramp
  - Flexible Channel Routing and Mixing
  - Selectable De-Emphasis
- ◆ Supports Stand-Alone or I<sup>2</sup>C/SPI™ Configuration
  - Embedded Level Translators
    - 1.8 V to 5 V Serial Audio Input
    - 1.8 V to 5 V Control Data Input
- ◆ Direct Stream Digital (DSD)
  - Dedicated DSD Input Pins
  - On-Chip 50 kHz Filter to Meet Scarlet Book SACD Recommendations
  - Matched PCM and DSD Analog Output Levels
  - Non-Decimating Volume Control with 1/2 dB Step Size and Soft Ramp
  - DSD Mute Detection
  - Supports Phase-Modulated Inputs
  - Optional Direct DSD Path to On-Chip Switched Capacitor Filter
- ◆ Control Output for External Muting
  - Independent Left and Right Mute Controls
  - Supports Auto Detection of Mute Output Polarity
- ◆ Typical Applications
  - DVD Players
  - SACD Players
  - A/V Receivers
  - Professional Audio Products



### Stand-Alone Mode Features

- ◆ Selectable Oversampling Modes
  - 32 kHz to 54 kHz Sampling Rates
  - 50 kHz to 108 kHz Sampling Rates
  - 100 kHz to 216 kHz Sampling Rates
- ◆ Selectable Serial Audio Interface Formats
  - Left-Justified, up to 24 bit
  - I<sup>2</sup>S, up to 24 bit
  - Right-Justified 16 bit
  - Right-Justified 24 bit
- ◆ Auto Mute Output Polarity Detect
- ◆ Auto Mute on Static PCM Samples
- ◆ 44.1 kHz 50/15 μs De-Emphasis Available
- ◆ Soft Volume Ramp-up after Reset is Released

### Control Port Mode Features

- ◆ Selectable Oversampling Modes
  - 32 kHz to 54 kHz Sampling Rates
  - 50 kHz to 108 kHz Sampling Rates
  - 100 kHz to 216 kHz Sampling Rates
- ◆ Selectable Serial Audio Interface Formats
  - Left-Justified, up to 24 bit
  - I<sup>2</sup>S, up to 24 bit
  - Right-Justified 16 bit
  - Right-Justified 18 bit
  - Right-Justified 20 bit
  - Right-Justified 24 bit

- ◆ Direct Stream Digital Mode
- ◆ Selectable Auto or Manual Mute Polarity
- ◆ Selectable Interpolation Filters
- ◆ Selectable 32, 44.1, and 48 kHz De-Emphasis
- ◆ Configurable ATAPI Mixing Functions
- ◆ Configurable Volume and Muting Controls

### Description

The CS4398 is a complete stereo 24 bit/192 kHz digital-to-analog system. This D/A system includes digital de-emphasis, half dB step size volume control, ATAPI channel mixing, selectable fast and slow digital interpolation filters followed by an oversampled multi-bit delta-sigma modulator that includes mismatch shaping technology that eliminates distortion due to capacitor mismatch. Following this stage is a multi-element switched capacitor stage and low pass filter with differential analog outputs.

The CS4398 also has an proprietary DSD processor that allows for volume control and 50 kHz on-chip filtering without an intermediate decimation stage. It also offers an optional path for direct DSD conversion by directly using the multi-element switched capacitor array.

The CS4398 accepts PCM data at sample rates from 32 kHz to 216 kHz, DSD audio data, has selectable digital filters, consumes little power, and delivers excellent sound quality.

### ORDERING INFORMATION

Product	Description	Package	Pb-Free	Grade	Temp Range	Container	Order #
CS4398	120 dB, 192 kHz Multi-Bit DAC with Volume Control	28-pin TSSOP	YES	Commercial	-10° to +70° C	Rail	CS4398-CZZ
						Tape & Reel	CS4398-CZZR
CDB4398	CS4398 Evaluation Board		-	-	-	-	CDB4398

---

**TABLE OF CONTENTS**

<b>1. PINOUT DRAWING .....</b>	<b>6</b>
<b>2. CHARACTERISTICS AND SPECIFICATIONS .....</b>	<b>8</b>
SPECIFIED OPERATING CONDITIONS .....	8
ABSOLUTE MAXIMUM RATINGS .....	8
ANALOG CHARACTERISTICS .....	9
COMBINED INTERPOLATION & ON-CHIP ANALOG FILTER RESPONSE .....	10
COMBINED INTERPOLATION & ON-CHIP ANALOG FILTER RESPONSE .....	11
DSD COMBINED DIGITAL AND ON-CHIP ANALOG FILTER RESPONSE .....	11
SWITCHING CHARACTERISTICS .....	12
SWITCHING CHARACTERISTICS - DSD .....	14
SWITCHING CHARACTERISTICS - CONTROL PORT - I <sup>2</sup> C FORMAT .....	15
SWITCHING CHARACTERISTICS - CONTROL PORT - SPI™ FORMAT .....	16
DC ELECTRICAL CHARACTERISTICS .....	17
DIGITAL INTERFACE SPECIFICATIONS .....	18
<b>3. TYPICAL CONNECTION DIAGRAM .....</b>	<b>19</b>
<b>4. APPLICATIONS .....</b>	<b>20</b>
4.1 Grounding and Power Supply Decoupling .....	20
4.2 Analog Output and Filtering .....	20
4.3 The MUTE <sup>™</sup> Outputs .....	20
4.4 Oversampling Modes .....	21
4.5 Master and Serial Clock Ratios .....	21
4.6 Stand-Alone Mode Settings .....	22
4.7 Control Port Mode .....	23
<b>5. CONTROL PORT INTERFACE .....</b>	<b>25</b>
5.1 Memory Address Pointer (MAP) .....	25
5.2 Enabling the Control Port .....	25
5.3 Format Selection .....	25
5.4 I <sup>2</sup> C Format .....	25
5.5 SPI Format .....	26
7.1 Chip ID - Register 01h .....	29
7.2 Mode Control 1 - Register 02h .....	29
7.3 Volume Mixing and Inversion Control - Register 03h .....	30
7.4 Mute Control - Register 04h .....	33
7.5 Channel A Volume Control - Register 05h .....	34
7.6 Channel B Volume Control - Register 06h .....	34
7.7 Ramp and Filter Control - Register 07h .....	35
7.8 Misc. Control - Register 08h .....	37
7.9 Misc. Control - Register 09h .....	38
<b>8. PARAMETER DEFINITIONS .....</b>	<b>39</b>
<b>9. REFERENCES .....</b>	<b>39</b>
<b>10. PACKAGE DIMENSIONS .....</b>	<b>40</b>
10.1 28-TSSOP .....	40
THERMAL CHARACTERISTICS AND SPECIFICATIONS .....	40
<b>11. APPENDIX .....</b>	<b>41</b>

---

**LIST OF FIGURES**

Figure 1. Pinout Drawing.....	6
Figure 2. Serial Mode Input Timing.....	12
Figure 3. Format 0 - Left-Justified up to 24-bit Data.....	13
Figure 4. Format 1 - I <sup>2</sup> S up to 24-bit Data.....	13
Figure 5. Format 2, Right-Justified 16-Bit Data. Format 3, Right-Justified 24-Bit Data. Format 4, Right-Justified 20-Bit Data. (Available in Control Port Mode only) Format 5, Right-Justified 18-Bit Data. (Available in Control Port Mode only).....	13
Figure 6. Direct Stream Digital - Serial Audio Input Timing.....	14
Figure 7. Direct Stream Digital - Serial Audio Input Timing for Phase Modulation Mode.....	14
Figure 8. Control Port Timing - I <sup>2</sup> C Format.....	15
Figure 9. Control Port Timing - SPI Format (Read/Write).....	16
Figure 10. Typical Connection Diagram.....	19
Figure 11. Recommended Output Filter.....	20
Figure 12. Recommended Mute Circuitry.....	21
Figure 13. DSD Phase Modulation Mode Diagram.....	24
Figure 14. Control Port Timing, I <sup>2</sup> C Format.....	26
Figure 15. Control Port Timing, SPI Format (Write).....	27
Figure 16. Control Port Timing, SPI Format (Read).....	27
Figure 17. De-Emphasis Curve.....	30
Figure 18. ATAPI Block Diagram.....	31
Figure 19. 28L TSSOP (4.4 mm Body) Package Drawing.....	40
Figure 20. Single-Speed (fast) Stopband Rejection.....	41
Figure 21. Single-Speed (fast) Transition Band.....	41
Figure 22. Single-Speed (fast) Transition Band (detail).....	41
Figure 23. Single-Speed (fast) Passband Ripple.....	41
Figure 24. Single-Speed (slow) Stopband Rejection.....	41
Figure 25. Single-Speed (slow) Transition Band.....	41
Figure 26. Single-Speed (slow) Transition Band (detail).....	42
Figure 27. Single-Speed (slow) Passband Ripple.....	42
Figure 28. Double-Speed (fast) Stopband Rejection.....	42
Figure 29. Double-Speed (fast) Transition Band.....	42
Figure 30. Double-Speed (fast) Transition Band (detail).....	42
Figure 31. Double-Speed (fast) Passband Ripple.....	42
Figure 32. Double-Speed (slow) Stopband Rejection.....	43
Figure 33. Double-Speed (slow) Transition Band.....	43
Figure 34. Double-Speed (slow) Transition Band (detail).....	43
Figure 35. Double-Speed (slow) Passband Ripple.....	43
Figure 36. Quad-Speed (fast) Stopband Rejection.....	43
Figure 37. Quad-Speed (fast) Transition Band.....	43
Figure 38. Quad-Speed (fast) Transition Band (detail).....	44
Figure 39. Quad-Speed (fast) Passband Ripple.....	44
Figure 40. Quad-Speed (slow) Stopband Rejection.....	44
Figure 41. Quad-Speed (slow) Transition Band.....	44
Figure 42. Quad-Speed (slow) Transition Band (detail).....	44
Figure 43. Quad-Speed (slow) Passband Ripple.....	44

---

**LIST OF TABLES**

Table 1. Clock Ratios .....	21
Table 2. Common Clock Frequencies .....	22
Table 3. Digital Interface Format, Stand-Alone Mode Options .....	22
Table 4. Mode Selection, Stand-Alone Mode Options .....	22
Table 5. Digital Interface Formats - PCM Mode .....	29
Table 6. Digital Interface Formats - DSD Mode .....	30
Table 7. Example Digital Volume Settings .....	34
Table 8. Revision Table .....	45

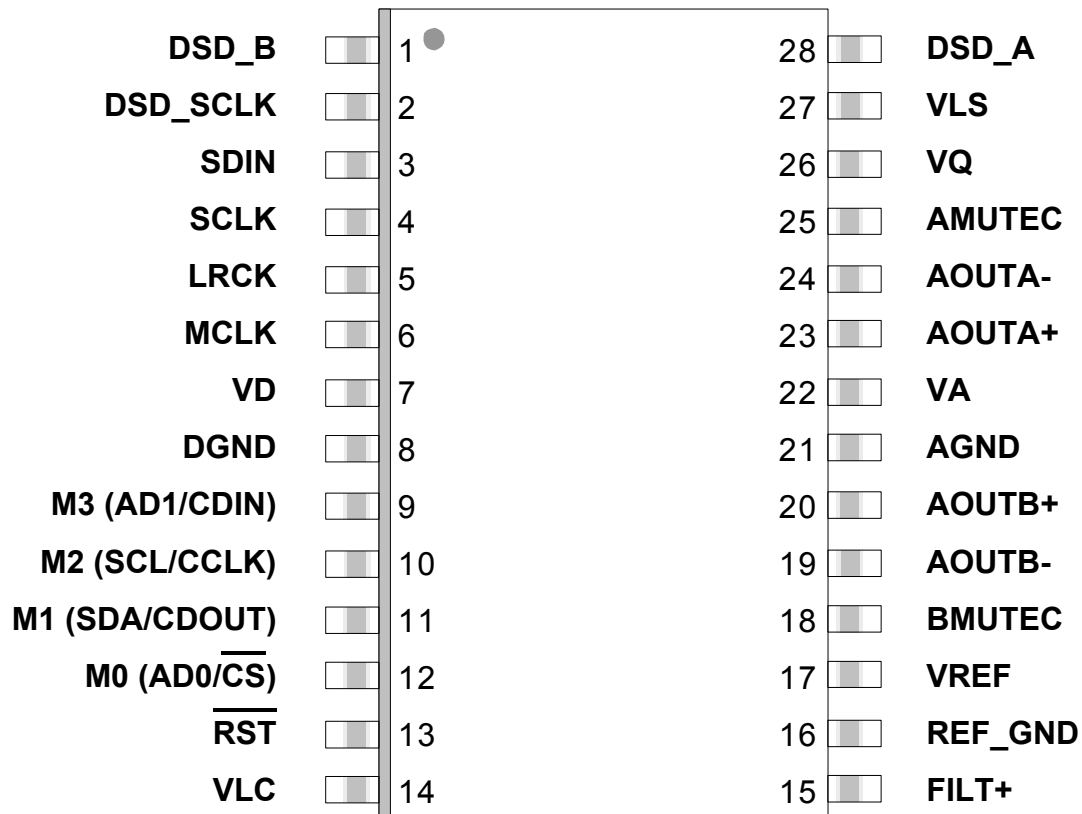
**1. PINOUT DRAWING**


Figure 1. Pinout Drawing

Pin Name	Pin #	Pin Description
DSD_A DSD_B	28 1	<b>Direct Stream Digital Input (Input)</b> - Input for Direct Stream Digital serial audio data.
DSD_SCLK	2	<b>DSD Serial Clock (Input)</b> - Serial clock for the Direct Stream Digital audio interface.
SDIN	3	<b>Serial Audio Data Input (Input)</b> - Input for two's complement serial audio data.
SCLK	4	<b>Serial Clock (Input)</b> - Serial clock for the serial audio interface.
LRCK	5	<b>Left Right Clock (Input)</b> - Determines which channel, Left or Right, is currently active on the serial audio data line.
MCLK	6	<b>Master Clock (Input)</b> - Clock source for the delta-sigma modulator and digital filters.
VD	7	<b>Digital Power (Input)</b> - Positive power for the digital section.
DGND	8	<b>Digital Ground (Input)</b> - Ground reference for the digital section.
RST	13	<b>Reset (Input)</b> - The device enters system reset when enabled.
VLC	14	<b>Control Port Power (Input)</b> - Positive power for Control Port I/O.
FILT+	15	<b>Positive Voltage Reference (Output)</b> - Positive reference voltage for the internal sampling circuits.
REF_GND	16	<b>Reference Ground (Input)</b> - Ground reference for the internal sampling circuits.
VREF	17	<b>Voltage Reference (Input)</b> - Positive voltage reference for the internal sampling circuits.
BMUTEC AMUTEC	18 25	<b>Mute Control (Output)</b> - The Mute Control pin is active during power-up initialization, muting, power-down or if the master clock to left/right clock frequency ratio is incorrect. During reset, these outputs are set to a high impedance.
AOUTB+ AOUTB-	20 19	<b>Differential Right Channel Analog Output (Output)</b> - The full-scale differential analog output level is specified in the Analog Characteristics specification table.
AGND	21	<b>Analog Ground (Input)</b> - Ground reference for the analog section.
VA	22	<b>Analog Power (Input)</b> - Positive power for the analog section.
AOUTA+ AOUTA-	23 24	<b>Differential Left Channel Analog Output (Output)</b> - The full-scale differential analog output level is specified in the Analog Characteristics specification table.
VQ	26	<b>Quiescent Voltage (Output)</b> - Filter connection for internal quiescent voltage.
VLS	27	<b>Serial Audio Interface Power (Input)</b> - Positive power for serial audio interface I/O.
Stand-Alone Mode Definitions		
M3	9	<b>Mode Selection (Input)</b> - Determines the operational mode of the device.
M2	10	
M1	11	
M0	12	
Control Port Mode Definitions		
AD1/CDIN	9	<b>Address Bit 1 (I<sup>2</sup>C) / Control Data Input (SPI) (Input)</b> - AD1 is a chip address pin in I <sup>2</sup> C mode; CDIN is the input data line for the Control Port interface in SPI mode.
SCL/CCLK	10	<b>Serial Control Port Clock (Input)</b> - Serial clock for the serial Control Port.
SDA/CDOOUT	11	<b>Serial Control Data (I<sup>2</sup>C) / Control Data Output (SPI) (Input/Output)</b> - SDA is a data I/O line in I <sup>2</sup> C mode. CDOOUT is the output data line for the Control Port interface in SPI mode.
AD0/ $\overline{\text{CS}}$	12	<b>Address Bit 0 (I<sup>2</sup>C) / Control Port Chip Select (SPI) (Input)</b> - AD0 is a chip address pin in I <sup>2</sup> C mode; $\overline{\text{CS}}$ is the chip select signal for SPI format.

## 2. CHARACTERISTICS AND SPECIFICATIONS

(Min/Max performance characteristics and specifications are guaranteed over the Specified Operating Conditions. Typical performance characteristics are derived from measurements taken at  $T_A = 25\text{ }^\circ\text{C}$ ,  $V_A = 5.0\text{ V}$ ,  $V_D = 3.3\text{ V}$ .)

### SPECIFIED OPERATING CONDITIONS

(AGND = 0 V; all voltages with respect to ground.)

Parameters		Symbol	Min	Typ	Max	Units
DC Power Supply	Analog power	VA	4.75	5.0	5.25	V
	Voltage reference	VREF	4.75	5.0	5.25	V
	Digital power	VD	3.1	3.3	5.25	V
	Serial audio interface power	VLS	1.7	3.3	5.25	V
	Control port interface power	VLC	1.7	3.3	5.25	V
Specified Temperature Range	-CZ & -CZZ	$T_A$	-10	-	70	$^\circ\text{C}$

### ABSOLUTE MAXIMUM RATINGS

(AGND = 0 V; all voltages with respect to ground.)

Parameters		Symbol	Min	Max	Units
DC Power Supply	Analog power	VA	-0.3	6.0	V
	Voltage reference	VREF	-0.3	6.0	V
	Digital power	VD	-0.3	6.0	V
	Serial audio interface power	VLS	-0.3	6.0	V
	Control port interface power	VLC	-0.3	6.0	V
Input Current	any pin except supplies	$I_{in}$	-	$\pm 10$	mA
Digital Input Voltage	Serial audio interface	$V_{IN-LS}$	-0.3	$V_{LS} + 0.4$	V
	Control port interface	$V_{IN-LC}$	-0.3	$V_{LC} + 0.4$	V
Ambient Operating Temperature (power applied)		$T_A$	-55	125	$^\circ\text{C}$
Storage Temperature		$T_{stg}$	-65	150	$^\circ\text{C}$

**WARNING:** Operation at or beyond these limits may result in permanent damage to the device. Normal operation is not guaranteed at these extremes.



## ANALOG CHARACTERISTICS

(Test conditions (unless otherwise specified): Input test signal is a 997 Hz sine wave at 0 dBFS; measurement bandwidth is 10 Hz to 20 kHz; test load  $R_L = 1\text{ k}\Omega$ ,  $C_L = 10\text{ pF}$ .)

Parameter		Symbol	Min	Typ	Max	Unit	
<b>Dynamic Performance - All PCM modes and DSD Processor mode</b>							
Dynamic Range (Note 1)	24-bit	A-Weighted	114	120	-	dB	
		unweighted	111	117	-	dB	
	16-bit (Note 2)	A-Weighted	-	97	-	dB	
		unweighted	-	94	-	dB	
Total Harmonic Distortion + Noise	24-bit	(Note 1) 0 dB	THD+N	-	-107	-100	dB
		-20 dB		-	-97	-	dB
		-60 dB		-	-57	-	dB
	16-bit (Note 2)	0 dB	-	-94	-	dB	
		-20 dB	-	-74	-	dB	
		-60 dB	-	-34	-	dB	
Idle Channel Noise / Signal-to-noise ratio			-	120	-	dB	
<b>Dynamic Performance - Direct DSD</b>							
Dynamic Range (Note 3)	A-Weighted		111	117	-	dB	
	unweighted		108	114	-	dB	
Total Harmonic Distortion + Noise	(Note 3) 0 dB		THD+N	-	-104	-98	dB
	-20 dB			-	-94	-	dB
	-60 dB			-	-54	-	dB
				-	-54	-	dB
<b>Dynamic Performance for All Modes</b>							
Interchannel Isolation		(1 kHz)	-	110	-	dB	
DC Accuracy							
Interchannel Gain Mismatch			ICGM	-	0.1	dB	
Gain Drift				-	100	ppm/°C	
<b>Analog Output Characteristics and Specifications</b>							
Full Scale Differential Output Voltage	PCM, DSD processor			$132\% \cdot V_A$	$134\% \cdot V_A$	$136\% \cdot V_A$	$V_{pp}$
	Direct DSD mode			$94\% \cdot V_A$	$96\% \cdot V_A$	$98\% \cdot V_A$	$V_{pp}$
Output Impedance			$Z_{OUT}$	-	118	-	$\Omega$
Minimum AC-Load Resistance			$R_L$	-	1	-	k $\Omega$
Maximum Load Capacitance			$C_L$	-	100	-	pF

### Notes:

1. One-half LSB of triangular PDF dither is added to data.
2. Performance limited by 16-bit quantization noise.
3. DSD performance may be limited by the source recording. 0 dB-SACD = 50% modulation index.

## COMBINED INTERPOLATION & ON-CHIP ANALOG FILTER RESPONSE

The filter characteristics have been normalized to the sample rate ( $F_s$ ) and can be referenced to the desired sample rate by multiplying the given characteristic by  $F_s$ .)

(See note 9.)

Parameter	Fast Roll-Off			Unit	
	Min	Typ	Max		
<b>Combined Digital and On-Chip Analog Filter Response - Single-Speed Mode - 48 kHz (Note 5)</b>					
Passband (Note 6)	to -0.01 dB corner	0	-	.454	$F_s$
	to -3 dB corner	0	-	.499	$F_s$
Frequency Response 10 Hz to 20 kHz	-0.01	-	+0.01	dB	
StopBand	0.547	-	-	$F_s$	
StopBand Attenuation (Note 7)	102	-	-	dB	
Group Delay	-	9.4/ $F_s$	-	s	
De-emphasis Error (Note 8) (Relative to 1 kHz)	$F_s = 32$ kHz	-	-	$\pm 0.23$	dB
	$F_s = 44.1$ kHz	-	-	$\pm 0.14$	dB
	$F_s = 48$ kHz	-	-	$\pm 0.09$	dB
<b>Combined Digital and On-Chip Analog Filter Response - Double-Speed Mode - 96 kHz (Note 5)</b>					
Passband (Note 6)	to -0.01 dB corner	0	-	.430	$F_s$
	to -3 dB corner	0	-	.499	$F_s$
Frequency Response 10 Hz to 20 kHz	-0.01	-	0.01	dB	
StopBand	.583	-	-	$F_s$	
StopBand Attenuation (Note 7)	80	-	-	dB	
Group Delay	-	4.6/ $F_s$	-	s	
<b>Combined Digital and On-Chip Analog Filter Response - Quad-Speed Mode - 192 kHz (Note 5)</b>					
Passband (Note 6)	to -0.01 dB corner	0	-	.105	$F_s$
	to -3 dB corner	0	-	.490	$F_s$
Frequency Response 10 Hz to 20 kHz	-0.01	-	0.01	dB	
StopBand	.635	-	-	$F_s$	
StopBand Attenuation (Note 7)	90	-	-	dB	
Group Delay	-	4.7/ $F_s$	-	s	

4. Slow Roll-off interpolation filter is only available in Control Port mode.
5. Filter response is guaranteed by design.
6. Response is clock-dependent and will scale with  $F_s$ .
7. For Single-Speed Mode, the Measurement Bandwidth is from stopband to 3  $F_s$ .  
For Double-Speed Mode, the Measurement Bandwidth is from stopband to 3  $F_s$ .  
For Quad-Speed Mode, the Measurement Bandwidth is from stopband to 1.34  $F_s$ .
8. De-emphasis is available only in Single-Speed Mode; Only 44.1 kHz De-emphasis is available in Stand-Alone mode.
9. Amplitude vs. Frequency plots of this data are available in the "Appendix" on page 41.

**COMBINED INTERPOLATION & ON-CHIP ANALOG FILTER RESPONSE**

(Continued)

Parameter	Slow Roll-Off (Note 4)			Unit	
	Min	Typ	Max		
<b>Single-Speed Mode - 48 kHz (Note 5)</b>					
Passband (Note 6)	to -0.01 dB corner	0	-	0.417	Fs
	to -3 dB corner	0	-	0.499	Fs
Frequency Response 10 Hz to 20 kHz		-0.01	-	+0.01	dB
StopBand		.583	-	-	Fs
StopBand Attenuation (Note 7)		64	-	-	dB
Group Delay		-	6.65/Fs	-	s
De-emphasis Error (Note 8) (Relative to 1 kHz)	Fs = 32 kHz	-	-	±0.23	dB
	Fs = 44.1 kHz	-	-	±0.14	dB
	Fs = 48 kHz	-	-	±0.09	dB
<b>Double-Speed Mode - 96 kHz (Note 5)</b>					
Passband (Note 6)	to -0.01 dB corner	0	-	.296	Fs
	to -3 dB corner	0	-	.499	Fs
Frequency Response 10 Hz to 20 kHz		-0.01	-	0.01	dB
StopBand		.792	-	-	Fs
StopBand Attenuation (Note 7)		70	-	-	dB
Group Delay		-	3.9/Fs	-	s
<b>Quad-Speed Mode - 192 kHz (Note 5)</b>					
Passband (Note 6)	to -0.01 dB corner	0	-	.104	Fs
	to -3 dB corner	0	-	.481	Fs
Frequency Response 10 Hz to 20 kHz		-0.01	-	0.01	dB
StopBand		.868	-	-	Fs
StopBand Attenuation (Note 7)		75	-	-	dB
Group Delay		-	4.2/Fs	-	s

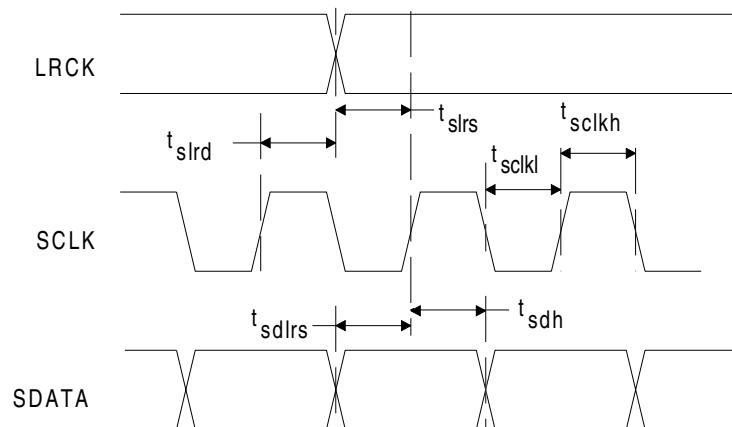
**DSD COMBINED DIGITAL AND ON-CHIP ANALOG FILTER RESPONSE**

Parameter	Min	Typ	Max	Unit	
<b>DSD Processor Mode (Note 5)</b>					
Passband (Note 6)				to -3 dB corner	
	0	-	50	kHz	
Frequency Response 10 Hz to 20 kHz	-0.05	-	0.05	dB	
Roll-off	27	-	-	dB/Oct	
<b>Direct DSD Mode (Note 5)</b>					
Passband (Note 6)	to -0.1 dB corner	0	-	26.9	kHz
	to -3 dB corner	0	-	176.4	kHz
Frequency Response 10 Hz to 20 kHz	-0.1	-	0	dB	

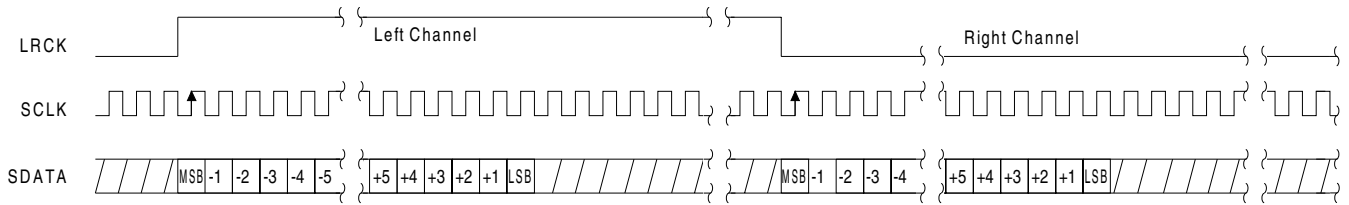
## SWITCHING CHARACTERISTICS

(Inputs: Logic 0 = GND, Logic 1 = VLS, CL = 20 pF)

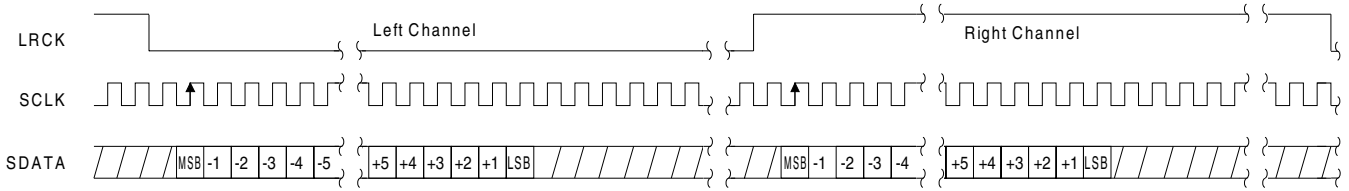
Parameters		Symbol	Min	Typ	Max	Units
Input Sample Rate	Single-Speed Mode	$F_s$	30	-	54	kHz
	Double-Speed Mode	$F_s$	50	-	108	kHz
	Quad-Speed Mode	$F_s$	100	-	216	kHz
MCLK Frequency	See Tables 1 & 2 (page 21) for compatible frequencies					
MCLK Duty Cycle			40%	-	60%	
LRCK Duty Cycle			45%	50	55%	
SCLK Pulse Width Low		$t_{sckl}$	20	-	-	ns
SCLK Pulse Width High		$t_{sckh}$	20	-	-	ns
SCLK Period	Single-Speed Mode	$t_{sckw}$	$\frac{1}{(128)F_s}$	-	-	ns
	Double-Speed Mode	$t_{sckw}$	$\frac{1}{(64)F_s}$	-	-	ns
	Quad-Speed Mode	$t_{sckw}$	$\frac{2}{MCLK}$	-	-	ns
SCLK rising to LRCK edge delay		$t_{slrd}$	20	-	-	ns
SCLK rising to LRCK edge setup time		$t_{slrs}$	20	-	-	ns
SDATA valid to SCLK rising setup time		$t_{sdls}$	22	-	-	ns
SCLK rising to SDATA hold time		$t_{sdh}$	20	-	-	ns



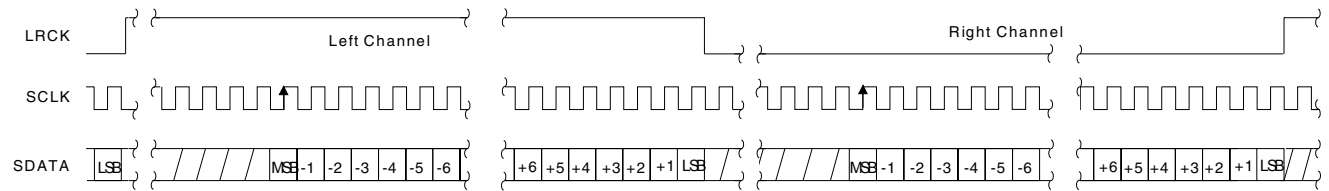
**Figure 2. Serial Mode Input Timing**



**Figure 3. Format 0 - Left-Justified up to 24-bit Data**



**Figure 4. Format 1 - I²S up to 24-bit Data**



**Figure 5. Format 2, Right-Justified 16-Bit Data.**

**Format 3, Right-Justified 24-Bit Data.**

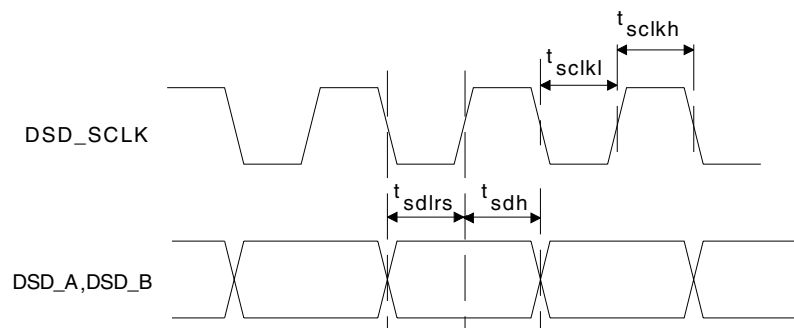
**Format 4, Right-Justified 20-Bit Data. (Available in Control Port Mode only)**

**Format 5, Right-Justified 18-Bit Data. (Available in Control Port Mode only)**

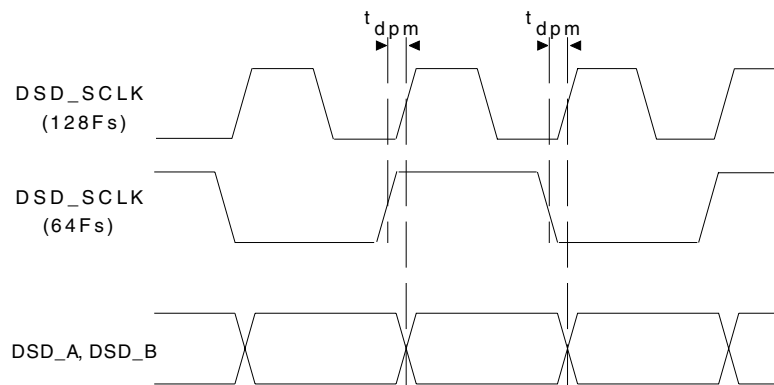
## SWITCHING CHARACTERISTICS - DSD

(Logic 0 = AGND = DGND; Logic 1 = VLS Volts;  $C_L = 20$  pF)

Parameter	Symbol	Min	Typ	Max	Unit
MCLK Duty Cycle		40	-	60	%
DSD_SCLK Pulse Width Low	$t_{sckl}$	160	-	-	ns
DSD_SCLK Pulse Width High	$t_{sckh}$	160	-	-	ns
DSD_SCLK Frequency (64x Oversampled)		1.024	-	3.2	MHz
(128x Oversampled)		2.048	-	6.4	MHz
DSD_A / _B valid to DSD_SCLK rising setup time	$t_{sdls}$	20	-	-	ns
DSD_SCLK rising to DSD_A or DSD_B hold time	$t_{sdh}$	20	-	-	ns
DSD clock to data transition (Phase Modulation mode)	$t_{dpm}$	-20	-	20	ns



**Figure 6. Direct Stream Digital - Serial Audio Input Timing**



**Figure 7. Direct Stream Digital - Serial Audio Input Timing for Phase Modulation Mode**

## SWITCHING CHARACTERISTICS - CONTROL PORT - I<sup>2</sup>C FORMAT

(Inputs: Logic 0 = GND, Logic 1 = VLC, C<sub>L</sub> = 20 pF)

Parameter	Symbol	Min	Max	Unit
SCL Clock Frequency	f <sub>scl</sub>	-	100	kHz
RST Rising Edge to Start	t <sub>irs</sub>	500	-	ns
Bus Free-Time Between Transmissions	t <sub>buf</sub>	4.7	-	μs
Start Condition Hold Time (prior to first clock pulse)	t <sub>hdst</sub>	4.0	-	μs
Clock Low Time	t <sub>low</sub>	4.7	-	μs
Clock High Time	t <sub>high</sub>	4.0	-	μs
Setup Time for Repeated Start Condition	t <sub>sust</sub>	4.7	-	μs
SDA Hold Time from SCL Falling (Note 10)	t <sub>hdd</sub>	0	-	μs
SDA Setup Time to SCL Rising	t <sub>sud</sub>	250	-	ns
Rise Time of SCL and SDA	t <sub>rc</sub> , t <sub>rd</sub>	-	1	μs
Fall Time SCL and SDA	t <sub>fc</sub> , t <sub>fd</sub>	-	300	ns
Setup Time for Stop Condition	t <sub>susp</sub>	4.7	-	μs
Acknowledge Delay from SCL Falling	t <sub>ack</sub>	300	1000	ns

10. Data must be held for sufficient time to bridge the transition time, t<sub>fc</sub>, of SCL.

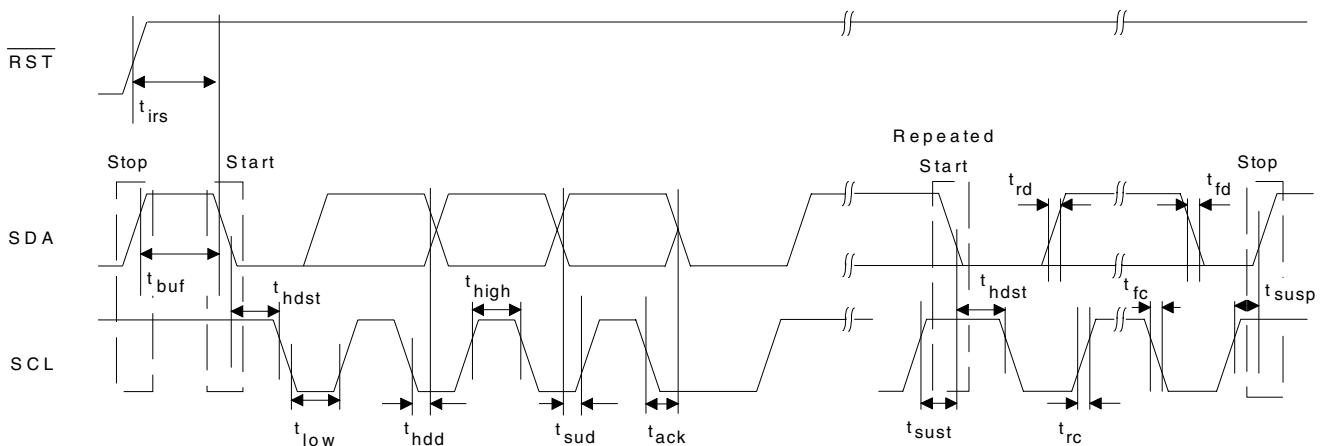


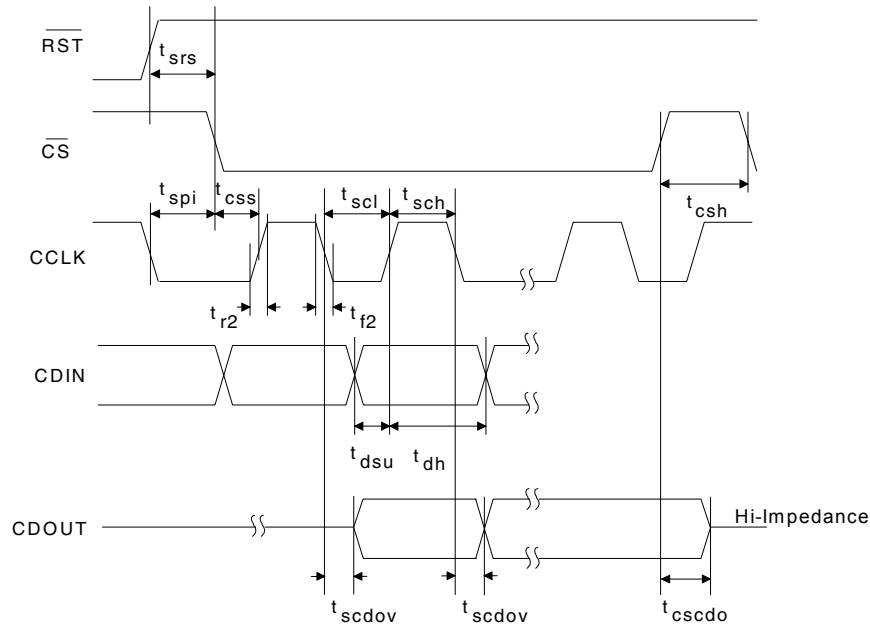
Figure 8. Control Port Timing - I<sup>2</sup>C Format

**SWITCHING CHARACTERISTICS - CONTROL PORT - SPI™ FORMAT**

 (Inputs: Logic 0 = GND, Logic 1 = VLC,  $C_L = 20$  pF)

Parameter	Symbol	Min	Max	Unit
CCLK Clock Frequency	$f_{sclk}$	-	6	MHz
$\overline{RST}$ Rising Edge to $\overline{CS}$ Falling	$t_{srs}$	500	-	ns
CCLK Edge to $\overline{CS}$ Falling (Note 11)	$t_{spi}$	500	-	ns
$\overline{CS}$ High Time Between Transmissions	$t_{csh}$	1.0	-	$\mu$ s
$\overline{CS}$ Falling to CCLK Edge	$t_{css}$	20	-	ns
CCLK Low Time	$t_{scl}$	66	-	ns
CCLK High Time	$t_{sch}$	66	-	ns
CDIN to CCLK Rising Setup Time	$t_{dsu}$	40	-	ns
CCLK Rising to DATA Hold Time (Note 12)	$t_{dh}$	15	-	ns
Rise Time of CCLK and CDIN (Note 13)	$t_{r2}$	-	100	ns
Fall Time of CCLK and CDIN (Note 13)	$t_{f2}$	-	100	ns
Transition time from CCLK to CDOUT valid (Note 14)	$t_{scdov}$	-	40	ns
Time from $\overline{CS}$ rising to CDOUT high-Z (Note 15)	$t_{cscdo}$	-	20	ns

11.  $t_{spi}$  only needed before first falling edge of  $\overline{CS}$  after  $\overline{RST}$  rising edge.  $t_{spi} = 0$  at all other times.
12. Data must be held for sufficient time to bridge the transition time of CCLK.
13. For  $F_{SCK} < 1$  MHz.
14. CDOUT should *not* be sampled during this time period.
15. This time is by design and not tested.


**Figure 9. Control Port Timing - SPI Format (Read/Write)**



**DC ELECTRICAL CHARACTERISTICS**

Parameters	Symbol	Min	Typ	Max	Units	
<b>Normal Operation</b> (Note 16)						
Power Supply Current	$V_A = 5\text{ V}$ (Note 17)	$I_A$	-	25	28	mA
	$V_{ref} = 5\text{ V}$	$I_{ref}$	-	1.5	2	mA
	$V_D = 5\text{ V}$	$I_D$	-	25	38	mA
	$V_D = 3.3\text{ V}$	$I_D$	-	18	27	mA
	Interface current (Note 18)	$I_{LC}$	-	2	-	$\mu\text{A}$
		$I_{LS}$	-	80	-	$\mu\text{A}$
Power Dissipation	$V_A = 5\text{ V}, V_D = 5\text{ V}$		-	258	340	mW
	$V_A = 5\text{ V}, V_D = 3.3\text{ V}$		-	192	240	mW
<b>Power-Down Mode</b> (Note 19)						
Power Supply Current		$I_{pd}$	-	200	-	$\mu\text{A}$
Power Dissipation	$V_A = 5\text{ V}, V_D = 5\text{ V}$		-	1	-	mW
	$V_A = 5\text{ V}, V_D = 3.3\text{ V}$		-	1	-	mW
<b>All Modes of Operation</b>						
Power Supply Rejection Ratio (Note 20)	(1 kHz)	PSRR	-	60	-	dB
	(60 Hz)		-	40	-	dB
Common Mode Voltage		$V_Q$	-	$0.5 \cdot V_A$	-	V
Max Current draw from VQ		$I_{Qmax}$	-	1	-	$\mu\text{A}$
FILT+ Nominal Voltage			-	$0.93 \cdot V_A$	-	V
Maximum MUTEC Drive Current	(Note 21)		-	3	-	mA
MUTEC High-Level Output Voltage		$V_{OH}$		$V_A$		V
MUTEC Low-Level Output Voltage		$V_{OL}$		0		V

16. Normal operation is defined as RST pin = High with a 997 Hz, 0 dBFS input sampled at the highest Fs for each speed mode, and open outputs, unless otherwise specified.
17.  $I_A$  measured with no loading on the AMUTEC and BMUTEC pins.
18.  $I_{LC}$  measured with no external loading on pin 11 (SDA).
19. Power-Down mode is defined as  $\overline{\text{RST}}$  pin = Low with all clock and data lines held static.
20. Valid with the recommended capacitor values on FILT+ and  $V_Q$  as shown in the "Typical Connection Diagram" on page 19.
21. This current is sourced/sinked directly from the  $V_A$  supply.

---

**DIGITAL INTERFACE SPECIFICATIONS**

Parameters		Symbol	Min	Typ	Max	Units
Input Leakage Current		$I_{in}$	-	-	$\pm 10$	$\mu A$
Input Capacitance			-	8	-	pF
High-Level Input Voltage	Serial I/O	$V_{IH}$	70%	-	-	$V_{LS}$
	Control I/O	$V_{IH}$	70%	-	-	$V_{LC}$
Low-Level Input Voltage	Serial I/O	$V_{IL}$	-	-	30%	$V_{LS}$
	Control I/O	$V_{IL}$	-	-	30%	$V_{LC}$
High-Level Output Voltage ( $I_{OH} = -1.2$ mA)	Control I/O	$V_{OH}$	80%	-	-	$V_{LC}$
Low-Level Output Voltage ( $I_{OL} = 1.2$ mA)	Control I/O	$V_{OL}$	-	-	20%	$V_{LC}$
MUTE auto detect input high voltage			70%			VA
MUTE auto detect input low voltage					30%	VA

### 3. TYPICAL CONNECTION DIAGRAM

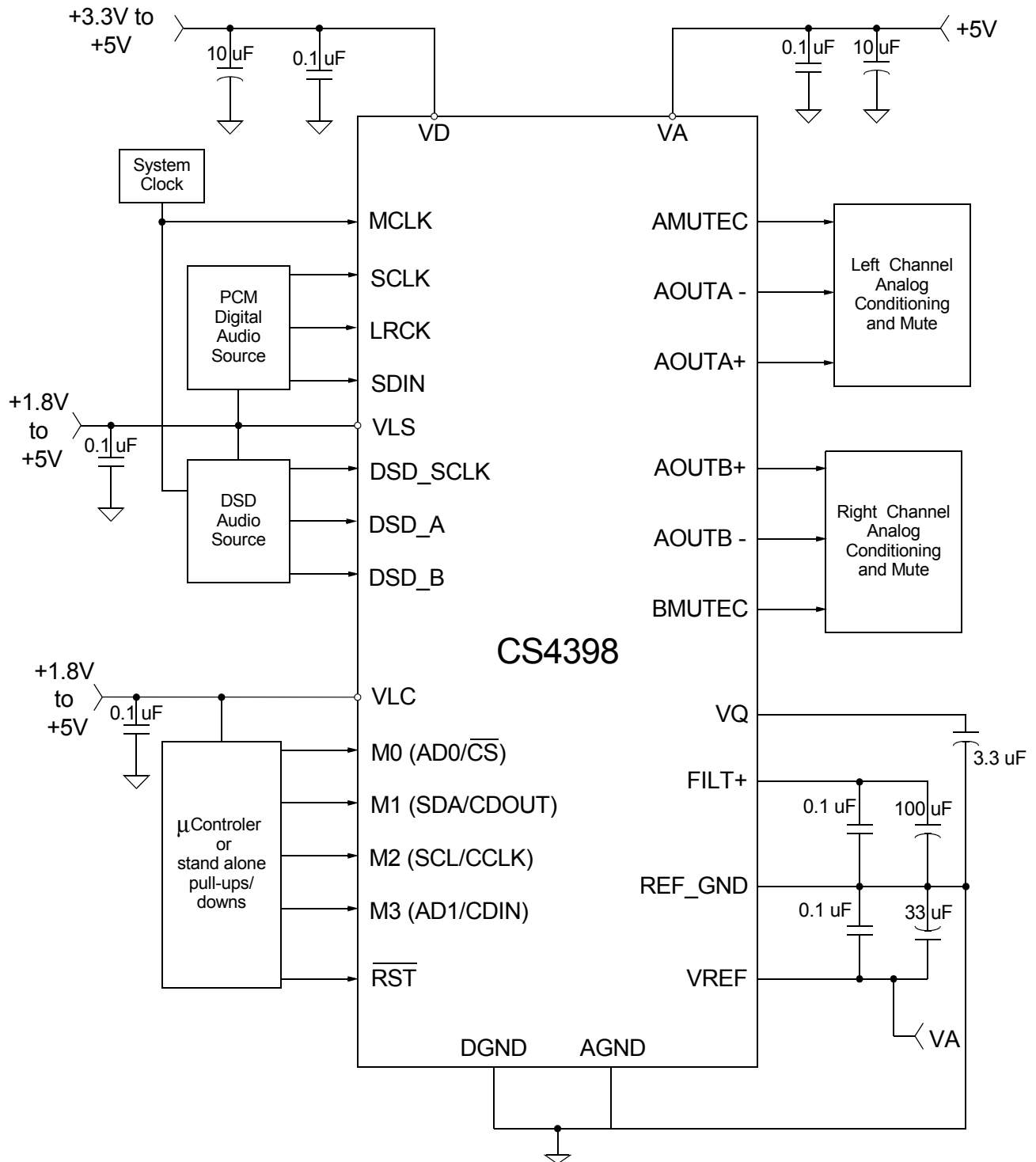


Figure 10. Typical Connection Diagram

## 4. APPLICATIONS

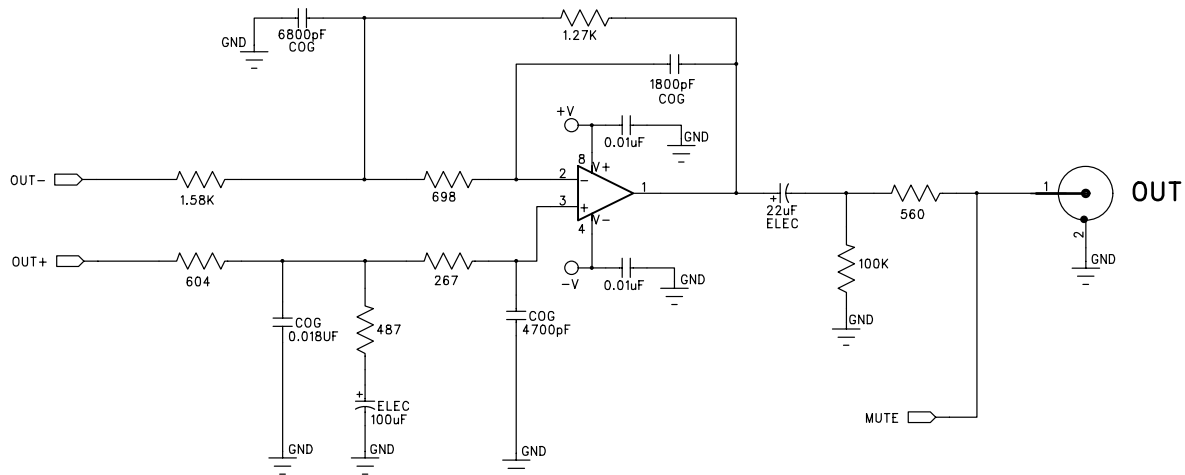
### 4.1 Grounding and Power Supply Decoupling

As with any high resolution converter, the CS4398 requires careful attention to power supply and grounding arrangements to optimize performance. The Typical Connection Diagram shows the recommended power arrangement with VA, VD, VLS and VLC connected to clean supplies. Decoupling capacitors should be located as close to the device package as possible. If desired, all supply pins may be connected to the same supply, but the recommended decoupling capacitors should still be placed on each supply pin. The AGND and DGND pins should be tied together with solid ground plane fill underneath the converter extending out to the GND side of the decoupling caps for VA, VD, VREF, and FILT+. This recommended layout can be seen in the CDB4398 evaluation board and datasheet.

### 4.2 Analog Output and Filtering

The Cirrus Logic application note “Design Notes for a 2-Pole Filter with Differential Input” (AN48) discusses the second-order Butterworth filter and differential to single-ended converter topology that was implemented on the CS4398 evaluation board, CDB4398, as seen in Figure 11.

The CS4398 does not include phase or amplitude compensation for an external filter. Therefore, the DAC system phase and amplitude response is dependent on the external analog circuitry.



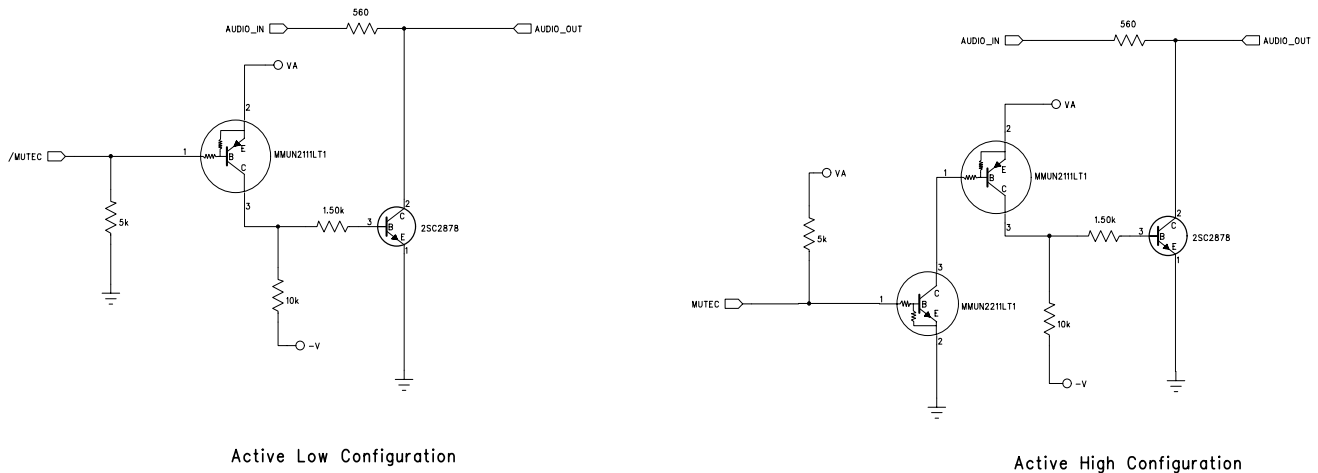
**Figure 11. Recommended Output Filter**

### 4.3 The MUTE Outputs

The AMUTE and BMUTE pins have an auto-polarity detect feature. The MUTE output pins are high impedance at the time of reset. The external mute circuitry needs to be self-biased into an active state in order to be muted during reset. Upon release of reset, the CS4398 detects the status of the MUTE pins (high or low) and then selects that state as the polarity to drive when the mutes become active. The external-bias voltage level that the MUTE pins see at the time of release of reset must meet the “MUTE auto detect input high/low voltage” specifications as outlined in the Digital Characteristics in Section 2.

Figure 12 shows a single example of both an active-high and an active-low mute drive circuit. In these designs, the pull-up and pull-down resistors have been specifically chosen to meet the input high/low threshold when used with the MMUN2111 and MMUN2211 internal bias resistances of 10 kΩ.

Use of the Mute Control function is not mandatory but recommended for designs requiring the absolute minimum in extraneous clicks and pops. Also, use of the Mute Control function can enable the system designer to achieve idle channel noise/signal-to-noise ratios which are only limited by the external mute circuit.



**Figure 12. Recommended Mute Circuitry**

#### 4.4 Oversampling Modes

The CS4398 operates in one of three oversampling modes based on the input sample rate. Single-Speed mode supports input sample rates up to 50 kHz and uses a 128x oversampling ratio. Double-Speed mode supports input sample rates up to 100 kHz and uses an oversampling ratio of 64x. Quad-Speed mode supports input sample rates up to 200 kHz and uses an oversampling ratio of 32x.

#### 4.5 Master and Serial Clock Ratios

The required MCLK-to-LRCK ratio and suggested SCLK-to-LRCK ratio are outlined in Table 1. MCLK can be at any phase in regards to LRCK and SCLK. SCLK, LRCK and SDATA must meet the phase and timing relationships outlined in Section 2. Some common MCLK frequencies have been outlined in Table 2.

	MCLK/LRCK	SCLK/LRCK	LRCK
<b>Single-Speed</b>	256, 384, 512, 768*, 1024*, 1152*	32, 48, 64, 96, 128	Fs
<b>Double-Speed</b>	128, 192, 256, 384, 512*	32, 48, 64	Fs
<b>Quad-Speed</b>	64	32 (16 bits only)	Fs
	96	32, 48	Fs
	128, 256*	32, 64	Fs
	192	32, 48, 64, 96	Fs
<b>*These modes are only available in Control Port mode by setting the appropriate MCLKDIV bit.</b>			

**Table 1. Clock Ratios**

Mode (sample-rate range)	Sample Rate (kHz)	MCLK (MHz)					
					MCLKDIV2		MCLKDIV3
<b>MCLK Ratio</b>		<b>256x</b>	<b>384x</b>	<b>512x</b>	<b>768x</b>	<b>1024x</b>	<b>1152x</b>
<b>Single-Speed (32 to 50 kHz)</b>	32	8.1920	12.2880	16.3840	24.5760	32.7680	36.8640
	44.1	11.2896	16.9344	22.5792	33.8688	45.1584	-
	48	12.2880	18.4320	24.5760	36.8640	49.1520	-
<b>MCLK Ratio</b>		<b>128x</b>	<b>192x</b>	<b>256x</b>	<b>384x</b>	<b>512x</b>	-
<b>Double-Speed (50 to 100 kHz)</b>	64	8.1920	12.2880	16.3840	24.5760	32.7680	-
	88.2	11.2896	16.9344	22.5792	33.8688	45.1584	-
	96	12.2880	18.4320	24.5760	36.8640	49.1520	-
<b>MCLK Ratio</b>		<b>64x*</b>	<b>96x</b>	<b>128x</b>	<b>192x</b>	<b>256x</b>	-
<b>Quad-Speed (100 to 200 kHz)</b>	176.4	11.2896*	16.9344	22.5792	33.8688	45.1584	-
	192	12.2880*	18.4320	24.5760	36.8640	49.1520	-
These modes are only available in Control Port mode by setting the appropriate MCLKDIV bit.							
* This MCLK ratio limits the audio word length to 16 bits; see Table 1 on page 21							

**Table 2. Common Clock Frequencies**

## 4.6 Stand-alone Mode Settings

In Stand-Alone mode (also referred to as “Hardware mode”) the device is configured using the M0 through M3 pins. These pins must be connected to either the VLC supply or ground. The Interface format is set by pins M0 and M1. The sample rate range/oversampling mode (Single/Double/Quad-Speed mode) and de-emphasis are set by pins M2 and M3. The settings can be found in Tables 3 and 4.

M1	M0	Description	Format	Figure
0	0	Left-Justified, up to 24-bit data	0	3
0	1	I <sup>2</sup> S, up to 24-bit data	1	4
1	0	Right-Justified, 16-bit Data	2	5
1	1	Right-Justified, 24-bit Data	3	5

**Table 3. Digital Interface Format, Stand-Alone Mode Options**

M3	M2	Description
0	0	Single-Speed without De-Emphasis (32 to 50 kHz sample rates)
0	1	Single-Speed with 44.1 kHz De-Emphasis; see Figure 17 on page 30
1	0	Double-Speed (50 to 100 kHz sample rates)
1	1	Quad-Speed (100 to 200 kHz sample rates)

**Table 4. Mode Selection, Stand-Alone Mode Options**

The following features are always enabled in Stand-Alone mode: Auto-mute on zero data, Auto MUTE C polarity detect, ramp volume from mute to 0dB by 1/8th dB steps every LRCK (soft ramp) after reset or clock mode change, and the fast roll-off interpolation filter is used.

The following features are not available in Stand-Alone mode: DSD mode, Right-Justified 20- and 18-bit serial audio interfaces, MCLK divide-by-2 and MCLK divide-by-3 (allows 1024 and 1152 clock ratios), slow roll-off interpolation filter, volume control, ATAPI mixing, 48 kHz and 32 kHz de-emphasis, and all other features enabled by registers that are not mentioned above.

#### 4.6.1 Recommended Power-up Sequence (Stand-Alone Mode)

1. Hold  $\overline{\text{RST}}$  low until the power supply, master, and left/right clocks are stable. In this state, the Control Port is reset to its default settings.
2. Bring  $\overline{\text{RST}}$  high. The device will remain in a low power state and will initiate the Stand-Alone power-up sequence following approximately  $2^{18}$  MCLK cycles.

### 4.7 Control Port Mode

#### 4.7.1 Recommended Power-up Sequence (Control Port Mode)

1. Hold  $\overline{\text{RST}}$  low until the power supply, master, and left/right clocks are stable. In this state, the Control Port is reset to its default settings.
2. Bring  $\overline{\text{RST}}$  high. Set the CPEN bit (Reg. 8h) prior to the completion of the Stand-Alone power-up sequence (approximately  $2^{18}$  MCLK cycles). Setting this bit halts the Stand-Alone power-up sequence and initializes the Control Port to its default settings. The desired register settings can be loaded while keeping the PDN bit (Reg. 8h) set to 1.
3. Clear the PDN bit to initiate the power-up sequence.

If the CPEN bit is not written within the allotted time, the device will start-up in stand-alone mode and begin converting data according to the current state of the M0 to M3 pins. Since these pins are also the control port pins an undesired mode may be entered. For this reason, if the CPEN bit is not set before the allotted time elapses, the SDIN line must be kept at static 0 (not dithered) until the device is properly configured. This will keep the device from converting data improperly.

#### 4.7.2 Sample Rate Range/Oversampling Mode (Control Port Mode)

Sample rate mode selection is determined by the FM bits (Reg. 02h).

#### 4.7.3 Serial Audio Interface Formats (Control Port Mode)

The desired serial audio interface format is selected using the DIF2:0 bits (Reg. 02h).

#### 4.7.4 MUTE C Pins (Control Port Mode)

The auto-mute polarity feature (mentioned in Section 4.3) is defeatable. The MUTE P1:0 bits in register 04h give the option to override the mute polarity which was auto detected at startup (see the Register Description section for more details).

#### 4.7.5 Interpolation Filter (Control Port Mode)

To accommodate the increasingly complex requirements of digital audio systems, the CS4398 incorporates selectable interpolation filters. A fast and a slow roll-off filter are available in each of Single-, Double-, and Quad-Speed modes. These filters have been designed to accommodate a variety of musical tastes and styles. The FILT\_SEL bit (Reg. 07h) is used to select which filter is used (see the Register Description section for more details).

Filter specifications can be found in Section 2, and filter response plots can be found in Figures 20 to 43 in the "Appendix" on page 41.

#### 4.7.6 Direct Stream Digital (DSD) Mode (Control Port Mode)

In Control Port mode, the FM bits (Reg. 02h) are used to configure the device for DSD mode. The DIF bits (Reg 02h) then control the expected DSD rate and MCLK ratio.

The DSD\_SRC bit (Reg. 02h) selects the input pins for DSD clocks and data. During DSD operation, the PCM-related pins should either be tied low or remain active with clocks. When the DSD related pins are not being used, they should either be tied low or remain active with clocks.

The DIR\_DSD bit (Reg 07h) selects between two proprietary methods for DSD-to-analog conversion. The first method uses a decimation-free DSD processing technique that allows for features such as matched PCM level output, DSD volume control, and 50 kHz on-chip filter. The second method sends the DSD data directly to the on-chip switched-capacitor filter for conversion (without the above mentioned features).

The DSD\_PM\_EN bit (Reg. 09h) selects Phase Modulation (data plus data inverted) as the style of data input. In this mode, the DSD\_PM\_mode bit selects whether a 128Fs or 64x clock is used for phase modulated 64x data (see Figure 13). Use of phase modulation mode may not directly effect the performance of the CS4398, but may lower the sensitivity to board-level routing of the DSD data signals.

The CS4398 can detect errors in the DSD data that do not comply to the SACD specification. The STATIC\_DSD and INVALID\_DSD bits (Reg. 09h) allow the CS4398 to alter the incoming invalid DSD data. Depending on the error, the data may either be attenuated or replaced with a muted DSD signal (the MUTEC pins would set according to the DAMUTE bit (Reg. 04h)).

More information for any of these register bits can be found in the Register Description section.

The DSD input structure and analog outputs are designed to handle a nominal 0 dB-SACD (50% modulation index) at full rated performance. Signals of +3 dB-SACD may be applied for brief periods of time; however, performance at these levels is not guaranteed. If sustained +3 dB-SACD levels are required, the digital volume control should be set to -3.0 dB. This same volume control register affects PCM output levels. There is no need to change the volume control setting between PCM and DSD in order to have the 0 dB output levels match (both 0 dBFS and 0 dB-SACD will output at -3 dB in this case).

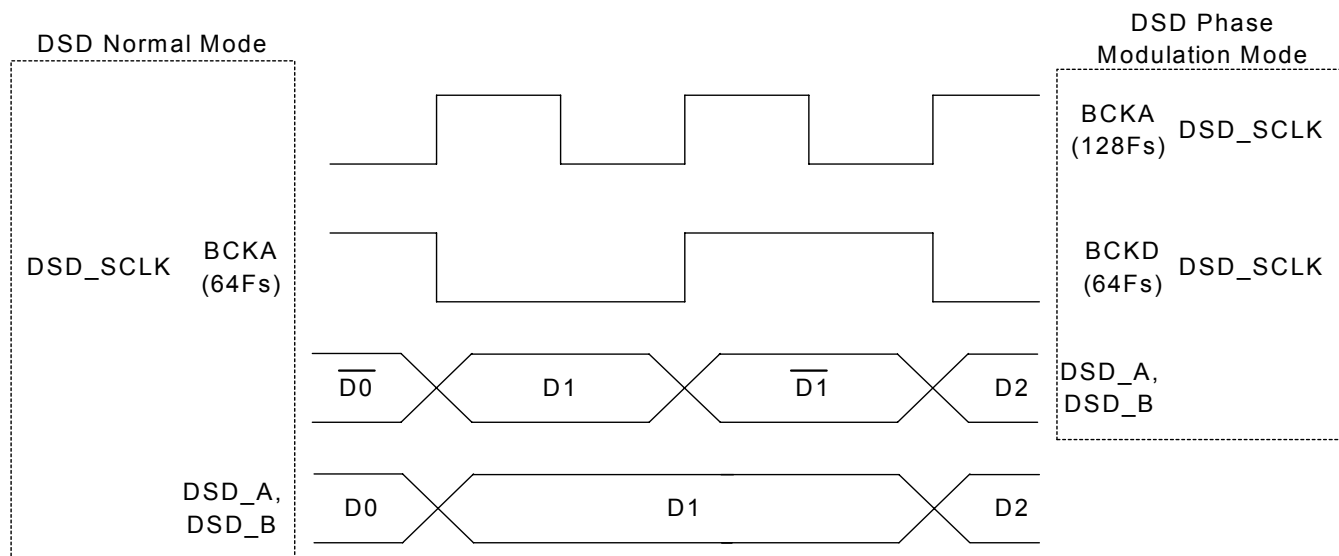


Figure 13. DSD Phase Modulation Mode Diagram



## 5. CONTROL PORT INTERFACE

The Control Port is used to load all the internal settings. The operation of the Control Port may be completely asynchronous with the audio sample rate. However, to avoid potential interference problems, the Control Port pins should remain static if no operation is required.

### 5.1 Memory Address Pointer (MAP)

#### 5.1.1 Memory Address Pointer (MAP) Register Detail

7	6	5	4	3	2	1	0
INCR	Reserved	Reserved	Reserved	MAP3	MAP2	MAP1	MAP0
0	0	0	0	0	0	0	0

#### 5.1.2 INCR (Auto Map Increment Enable)

Default = '0'

0 - Disabled, the MAP will stay constant for successive writes

1 - Enabled, the MAP will auto increment after each byte is written, allowing block reads or writes of successive registers

#### 5.1.3 MAP3-0 (Memory Address Pointer)

Default = '0000'

### 5.2 Enabling the Control Port

On the CS4398, the Control Port pins are shared with Stand-Alone configuration pins. To enable the Control Port, the user must set the CPEN bit. This is done by performing an I<sup>2</sup>C or SPI write. Once the Control Port is enabled, these pins are dedicated to Control Port functionality.

To prevent audible artifacts, the CPEN bit (see Section 7) should be set prior to the completion of the Stand-Alone power-up sequence, approximately 2<sup>18</sup> MCLK cycles. Setting this bit halts the stand-alone power-up sequence and initializes the Control Port to its default settings. Note, the CPEN bit can be set any time after RST goes high; however, setting this bit after the stand-alone power-up sequence has completed can cause audible artifacts.

### 5.3 Format Selection

The Control Port has two formats: SPI and I<sup>2</sup>C, with the CS4398 operating as a slave device.

If I<sup>2</sup>C operation is desired, AD0/ $\overline{\text{CS}}$  should be tied to VLC or GND. If the CS4398 ever detects a high-to-low transition on AD0/ $\overline{\text{CS}}$  after power-up, SPI format will automatically be selected.

### 5.4 I<sup>2</sup>C Format

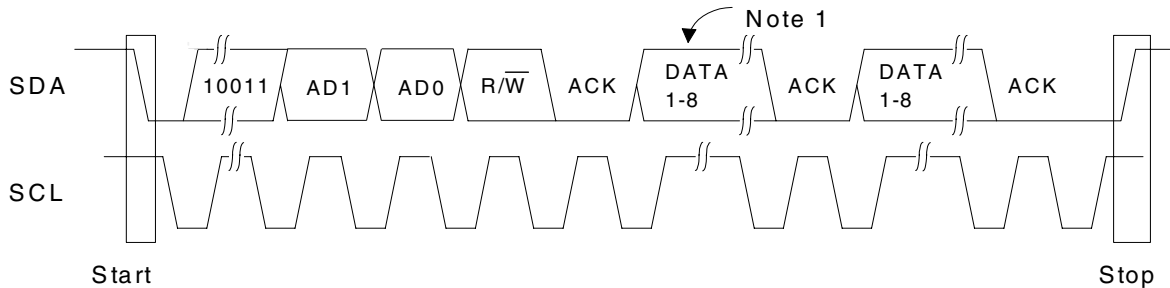
In I<sup>2</sup>C Format, SDA is a bidirectional data line. Data is clocked into and out of the part by the clock, SCL, with a clock-to-data relationship as shown in Figure 14. The receiving device should send an acknowledge (ACK) after each byte received. There is no  $\overline{\text{CS}}$  pin. Pins AD0 and AD1 form the partial chip address and should be tied to VLC or GND as required. The upper five bits of the 7-bit address field must be 10011.

### 5.4.1 Writing in I<sup>2</sup>C Format

To communicate with the CS4398, initiate a START condition of the bus (see Figure 14.). Next, send the chip address. The eighth bit of the address byte is the R/W bit (low for a write). The next byte is the Memory Address Pointer, MAP, which selects the register to be read or written. The MAP is then followed by the data to be written. To write multiple registers, continue providing a clock and data, waiting for the CS4398 to acknowledge between each byte. To end the transaction, send a STOP condition.

### 5.4.2 Reading in I<sup>2</sup>C Format

To communicate with the CS4398, initiate a START condition of the bus (see Figure 14.). Next, send the chip address. The eighth bit of the address byte is the R/W bit (high for a read). The contents of the register pointed to by the MAP will be output after the chip address. To read multiple registers, continue providing a clock and issue an ACK after each byte. To end the transaction, send a STOP condition.



Note: If operation is a write, this byte contains the Memory Address Pointer, MAP.

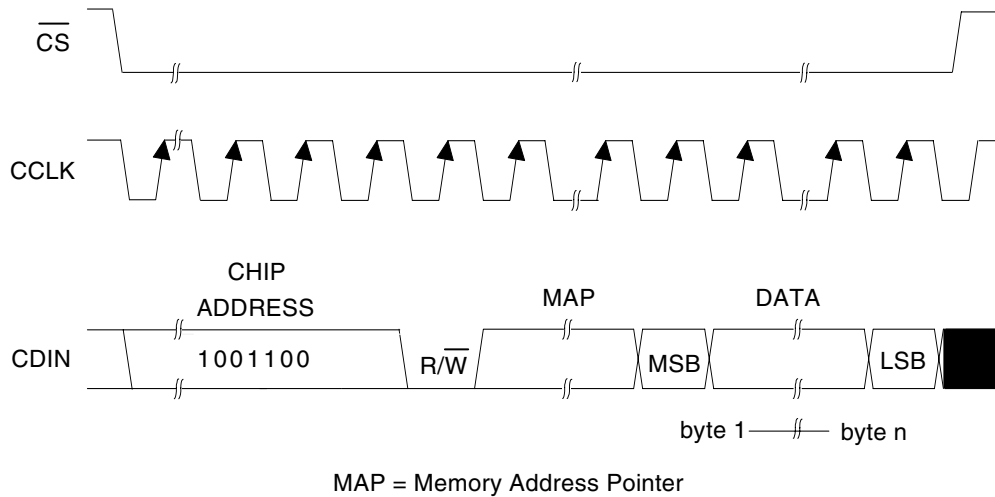
**Figure 14. Control Port Timing, I<sup>2</sup>C Format**

## 5.5 SPI Format

In SPI format,  $\overline{CS}$  is the CS4398 chip select signal; CCLK is the Control Port bit clock; CDIN is the input data line from the microcontroller; CDOUT is the output data line and the chip address is 1001100.  $\overline{CS}$ , CCLK, and CDIN are all inputs, and data is clocked in on the rising edge of CCLK. CDOUT is an output and is high-impedance when not actively outputting data.

### 5.5.1 Writing in SPI

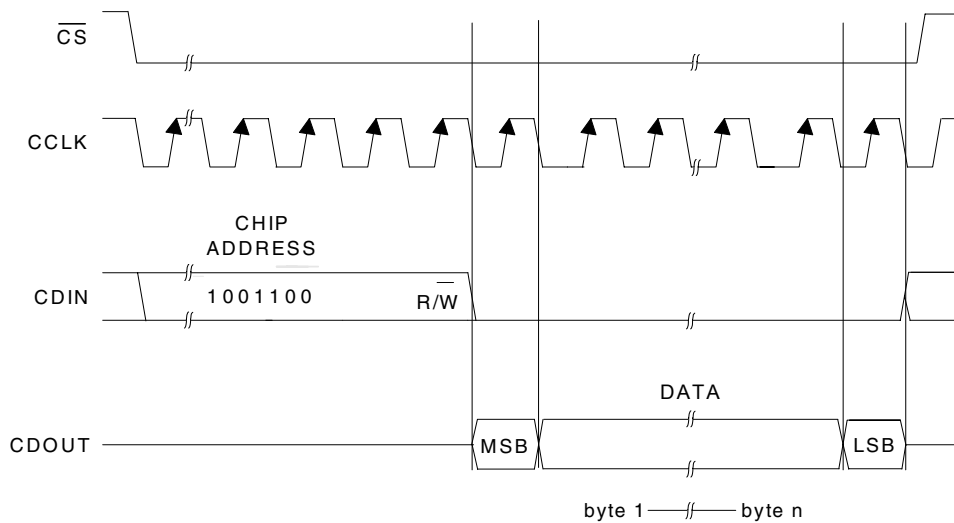
Figure 15 shows the operation of the Control Port in SPI format. To write to a register, bring  $\overline{CS}$  low. The first seven bits on CDIN form the chip address and must be 1001100. The eighth bit is a read/write indicator (R/W), which must be low to write. The next eight bits form the Memory Address Pointer (MAP), which is set to the address of the register that is to be updated. The next eight bits are the data that will be placed into register designated by the MAP. To write multiple registers, keep  $\overline{CS}$  low and continue providing clocks on CCLK. End the read transaction by setting  $\overline{CS}$  high.



**Figure 15. Control Port Timing, SPI Format (Write)**

### 5.5.2 Reading in SPI

Figure 16 shows the operation of the Control Port in SPI format. To read to a register, bring  $\overline{CS}$  low. The first seven bits on CDIN form the chip address and must be 1001100. The eighth bit is a read/write control ( $R/\overline{W}$ ), which must be high to read. The CDOUT line will then output the data from the register designated by the MAP. To read multiple registers, keep  $\overline{CS}$  low and continue providing clocks on CCLK. End the read transaction by setting  $\overline{CS}$  high. The CDOUT line will go to a high-impedance state once  $\overline{CS}$  goes high.



**Figure 16. Control Port Timing, SPI Format (Read)**

**6. REGISTER QUICK REFERENCE**

Addr	Function	7	6	5	4	3	2	1	0
1h	Chip ID default	PART4 0	PART3 1	PART2 1	PART1 1	PART0 0	REV2 -	REV1 -	REV0 -
2h	Mode Control default	DSD_SRC 0	DIF2 0	DIF1 0	DIF0 0	DEM1 0	DEM0 0	FM1 0	FM0 0
3h	Volume, Mixing, and Inversion Control default	VOLB=A 0	INVERTA 0	INVERTB 0	ATAPI4 0	ATAPI3 1	ATAPI2 0	ATAPI1 0	ATAPI0 1
4h	Mute Control default	PAMUTE 1	DAMUTE 1	MUTE_C A=B 0	MUTE_A 0	MUTE_B 0	Reserved 0	MUTE_P1 0	MUTE_P0 0
5h	Channel A Vol- ume Control default	VOL7 0	VOL6 0	VOL5 0	VOL4 0	VOL3 0	VOL2 0	VOL1 0	VOL0 0
6h	Channel B Vol- ume Control default	VOL7 0	VOL6 0	VOL5 0	VOL4 0	VOL3 0	VOL2 0	VOL1 0	VOL0 0
7h	Ramp and Filter Control default	SZC1 1	SZC0 0	RMP_UP 1	RMP_DN 1	Reserved 0	FILT_SEL 0	Reserved 0	DIR_DSD 0
8h	Misc. Control default	PDN 1	CPEN 0	FREEZE 0	MCLKDIV2 0	MCLKDIV3 0	Reserved 0	Reserved 0	Reserved 0
9h	Misc. Control 2 default	Reserved 0	Reserved 0	Reserved 0	Reserved 0	STATIC_ DSD 1	INVALID_ DSD 0	DSD_PM_ MODE 0	DSD_PM_ EN 0

## 7. REGISTER DESCRIPTION

\*\* All register access is R/W unless specified otherwise\*\*

### 7.1 Chip ID - Register 01h

7	6	5	4	3	2	1	0
PART4	PART3	PART2	PART1	PART0	REV2	REV1	REV0
0	1	1	1	0	-	-	-

Function:

This register is Read-Only. Bits 7 through 3 are the part number ID, which is 01110b (14h), and the remaining Bits (2 through 0) are for the chip revision (Rev. A = 000, Rev. B = 001, ...)

### 7.2 Mode Control 1 - Register 02h

7	6	5	4	3	2	1	0
DSD_SRC	DIF2	DIF1	DIF0	DEM1	DEM0	FM1	FM0
0	0	0	0	0	0	0	0

#### 7.2.1 DSD Input Source Select (DSD\_SRC) BIT 7

Function:

When set to 0 (default), the dedicated DSD pins will be the active DSD inputs.

When set to 1, the source for DSD inputs will be as follows:

- DSDA input on SDATA pin
- DSDB input on LRCK pin
- DSD\_SCLK input on SCLK pin

The dedicated DSD pins must be tied low while not in use.

#### 7.2.2 Digital Interface Format (DIF2:0) BITS 6-4

Function:

These bits select the interface format for the serial audio input. The Functional Mode bits determine whether PCM or DSD mode is selected.

**PCM Mode:** The required relationship between the Left/Right clock, serial clock and serial data is defined by the Digital Interface Format, and the options are detailed in Figures 3 through 5.

DIF2	DIF1	DIF0	Description	Format	Figure
0	0	0	Left-Justified, up to 24-bit data	0 (Default)	3
0	0	1	I <sup>2</sup> S, up to 24-bit data	1	4
0	1	0	Right-Justified, 16-bit data	2	5
0	1	1	Right-Justified, 24-bit data	3	5
1	0	0	Right-Justified, 20-bit data	4	5
1	0	1	Right-Justified, 18-bit data	5	5
1	1	0	Reserved		
1	1	1	Reserved		

Table 5. Digital Interface Formats - PCM Mode

**DSD Mode:** The relationship between the oversampling ratio of the DSD audio data and the required Master Clock to DSD data rate is defined by the Digital Interface Format pins.

DIF2	DIF1	DIF0	Description
0	0	0	64x oversampled DSD data with a 4x MCLK to DSD data rate (Default)
0	0	1	64x oversampled DSD data with a 6x MCLK to DSD data rate
0	1	0	64x oversampled DSD data with a 8x MCLK to DSD data rate
0	1	1	64x oversampled DSD data with a 12x MCLK to DSD data rate
1	0	0	128x oversampled DSD data with a 2x MCLK to DSD data rate
1	0	1	128x oversampled DSD data with a 3x MCLK to DSD data rate
1	1	0	128x oversampled DSD data with a 4x MCLK to DSD data rate
1	1	1	128x oversampled DSD data with a 6x MCLK to DSD data rate

**Table 6. Digital Interface Formats - DSD Mode**

### 7.2.3 De-emphasis Control (DEM1:0) BITS 3-2.

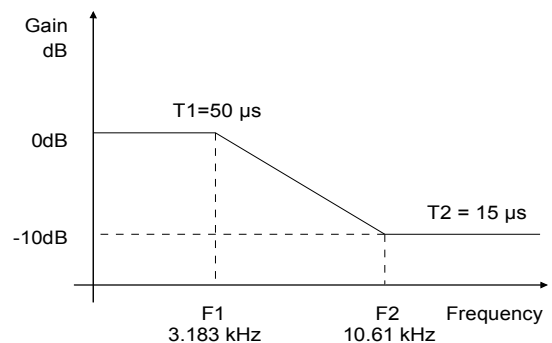
Default = 0

- 00 - No De-emphasis
- 01 - 44.1 kHz De-emphasis
- 10 - 48 kHz De-emphasis
- 11 - 32 kHz De-emphasis

Function:

Selects the appropriate digital filter to maintain the standard 15  $\mu$ s/50  $\mu$ s digital de-emphasis filter response at 32, 44.1 or 48 kHz sample rates. (see Figure 17)

**Notes:** De-emphasis is only available in Single-Speed Mode.



**Figure 17. De-Emphasis Curve**

### 7.2.4 Functional Mode (FM1:0) BITS 1-0

Default = 00

- 00 - Single-Speed Mode (30 to 50 kHz sample rates)
- 01 - Double-Speed Mode (50 to 100 kHz sample rates)
- 10 - Quad-Speed Mode (100 to 200 kHz sample rates)
- 11 - Direct Stream Digital Mode

Function:

Selects the required range of input sample rates or DSD Mode.

## 7.3 Volume Mixing and Inversion Control - Register 03h

7	6	5	4	3	2	1	0
VOLB=A	INVERT A	INVERT B	ATAPI4	ATAPI3	ATAPI2	ATAPI1	ATAPI0
0	0	0	0	1	0	0	1

### 7.3.1 Channel B Volume = Channel A Volume (VOLB=A) Bit 7

Function:

When set to 0 (default), the AOUTA and AOUTB volume levels are independently controlled by the A and the B Channel Volume Control Bytes.

When set to 1, the volume on both AOUTA and AOUTB are determined by the A Channel Attenuation and Volume Control Bytes, and the B Channel Bytes are ignored.

### 7.3.2 Invert Signal Polarity (Invert\_A) Bit 6

Function:

When set to 1, this bit inverts the signal polarity of channel A.

When set to 0 (default), this function is disabled.

### 7.3.3 Invert Signal Polarity (Invert\_B) Bit 5

Function:

When set to 1, this bit inverts the signal polarity of channel B.

When set to 0 (default), this function is disabled.

### 7.3.4 ATAPI Channel Mixing and Muting (ATAPI4:0) Bits 4-0

Default = 01001 - AOUTA=aL, AOUTB=bR (Stereo)

Function:

The CS4398 implements the channel-mixing functions of the ATAPI CD-ROM specification. Refer to Table and Figure 18 for additional information.

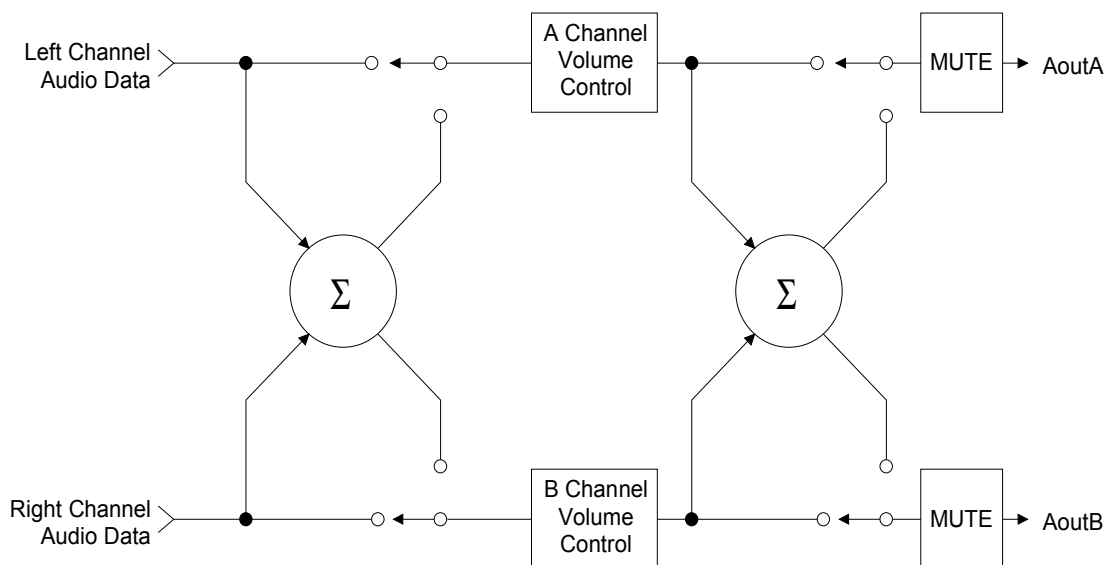


Figure 18. ATAPI Block Diagram

ATAPI4	ATAPI3	ATAPI2	ATAPI1	ATAPI0	AOUTA	AOUTB
0	0	0	0	0	MUTE	MUTE
0	0	0	0	1	MUTE	bR
0	0	0	1	0	MUTE	bL
0	0	0	1	1	MUTE	b[(L+R)/2]
0	0	1	0	0	aR	MUTE
0	0	1	0	1	aR	bR
0	0	1	1	0	aR	bL
0	0	1	1	1	aR	b[(L+R)/2]
0	1	0	0	0	aL	MUTE
0	1	0	0	1	aL	bR
0	1	0	1	0	aL	bL
0	1	0	1	1	aL	b[(L+R)/2]
0	1	1	0	0	a[(L+R)/2]	MUTE
0	1	1	0	1	a[(L+R)/2]	bR
0	1	1	1	0	a[(L+R)/2]	bL
0	1	1	1	1	a[(L+R)/2]	b[(L+R)/2]
1	0	0	0	0	MUTE	MUTE
1	0	0	0	1	MUTE	bR
1	0	0	1	0	MUTE	bL
1	0	0	1	1	MUTE	[(bL+aR)/2]
1	0	1	0	0	aR	MUTE
1	0	1	0	1	aR	bR
1	0	1	1	0	aR	bL
1	0	1	1	1	aR	[(aL+bR)/2]
1	1	0	0	0	aL	MUTE
1	1	0	0	1	aL	bR
1	1	0	1	0	aL	bL
1	1	0	1	1	aL	[(aL+bR)/2]
1	1	1	0	0	[(aL+bR)/2]	MUTE
1	1	1	0	1	[(aL+bR)/2]	bR
1	1	1	1	0	[(bL+aR)/2]	bL
1	1	1	1	1	[(aL+bR)/2]	[(aL+bR)/2]



## 7.4 Mute Control - Register 04h

7	6	5	4	3	2	1	0
PAMUTE	DAMUTE	MUTE <sub>C</sub> A=B	MUTE_A	MUTE_B	Reserved	MUTE <sub>P</sub> 1	MUTE <sub>P</sub> 0
1	1	0	0	0	0	0	0

### 7.4.1 PCM Auto-mute (PAMUTE) Bit 7

Function:

When set to 1 (default), the Digital-to-Analog converter output will mute following the reception of 8192 consecutive audio samples of static 0 or -1. A single sample of non-static data will release the mute. Detection and muting is done independently for each channel. The quiescent voltage on the output will be retained, and the Mute Control pin will go active during the mute period.

When set to 0, this function is disabled.

### 7.4.2 DSD Auto-mute (DAMUTE) Bit 6

Function:

When set to 1 (default), the Digital-to-Analog converter output will mute following the reception of 256 repeated 8-bit DSD mute patterns (as defined in the SACD specification).

A single bit not fitting the repeated mute pattern (mentioned above) will release the mute. Detection and muting is done independently for each channel. The quiescent voltage on the output will be retained, and the Mute Control pin will go active during the mute period.

When set to 0, this function is disabled.

### 7.4.3 AMUTE<sub>C</sub> = BMUTE<sub>C</sub> (MUTE<sub>C</sub> A=B) Bit 5

Function:

When set to 0 (default) the AMUTE<sub>C</sub> and BMUTE<sub>C</sub> pins operate independently.

When set to 1, the individual controls for AMUTE<sub>C</sub> and BMUTE<sub>C</sub> are internally connected through an AND gate prior to the output pins. Therefore, the external AMUTE<sub>C</sub> and BMUTE<sub>C</sub> pins will go active only when the requirements for both AMUTE<sub>C</sub> and BMUTE<sub>C</sub> are valid.

### 7.4.4 A Channel Mute (MUTE\_A) Bit 4 B Channel Mute (MUTE\_B) Bit 3

Function:

When set to 1, the Digital-to-Analog converter output will mute. The quiescent voltage on the output will be retained. The muting function is effected, similar to attenuation changes, by the Soft and Zero Cross bits in the Volume and Mixing Control register. The corresponding MUTE<sub>C</sub> pin will go active following any ramping due to the soft and zero cross function.

When set to 0 (default), this function is disabled.

### 7.4.5 MUTE Polarity and DETECT (MUTEP1:0) Bits 1-0

Default = 00

00 - Auto polarity detect, selected from AMUTEC pin

01 - Reserved

10 - Active low mute polarity

11 - Active high mute polarity

Function:

Auto mute polarity detect (00)

See section 4.3 on page 20 for description.

Active low mute polarity (10)

When  $\overline{\text{RST}}$  is low, the outputs are high-impedance and will need to be biased active. Once reset has been released and after this bit is set, the MUTEC output pins will be active low polarity.

Active high mute polarity (11)

At reset time, the outputs are high-impedance and will need to be biased active. Once reset has been released and after this bit is set, the MUTEC output pins will be active high polarity.

## 7.5 Channel A Volume Control - Register 05h

## 7.6 Channel B Volume Control - Register 06h

7	6	5	4	3	2	1	0
VOL7	VOL6	VOL5	VOL4	VOL3	VOL2	VOL1	VOL0
0	0	0	0	0	0	0	0

### 7.6.1 Digital Volume Control (VOL7:0) Bits 7-0

Default = 00h (0 dB)

Function:

The Digital Volume Control registers allow independent control of the signal levels in 1/2 dB increments from 0 to -127.5 dB. Volume settings are decoded as shown in Table 7. The volume changes are implemented as dictated by the Soft and Zero Cross bits in the Power and Muting Control register. Note that the values in the volume setting column in Table 7 are approximate. The actual attenuation is determined by taking the decimal value of the volume register and multiplying by 6.02/12.

Binary Code	Decimal Value	Volume Setting
00000000	0	0 dB
00000001	1	-0.5 dB
00000110	6	-3.0 dB
11111111	255	-127.5 dB

Table 7. Example Digital Volume Settings

## 7.7 Ramp and Filter Control - Register 07h

7	6	5	4	3	2	1	0
SZC1	SZC0	RMP_UP	RMP_DN	Reserved	FILT_SEL	Reserved	DIR_DSD
1	0	1	1	0	0	0	0

### 7.7.1 Soft Ramp AND Zero Cross CONTROL (SZC1:0) Bits 7-6

Default = 10

SZC1	SZC0	PCM Description	DSD Description
0	0	Immediate Change	Immediate Change
0	1	Zero Cross	
1	0	Soft Ramp	Soft Ramp
1	1	Soft Ramp on Zero Crossings	

Function:

#### Immediate Change

When Immediate Change is selected, all level changes will take effect immediately in one step.

#### Zero Cross

Zero Cross Enable dictates that signal-level changes, either by attenuation changes or muting, will occur on a signal zero crossing to minimize audible artifacts. The requested level-change will occur after a time-out period between 512 and 1024 sample periods (10.7 ms to 21.3 ms at 48 kHz sample rate) if the signal does not encounter a zero crossing. The zero cross function is independently monitored and implemented for each channel.

#### Soft Ramp PCM

Soft Ramp allows level changes, both muting and attenuation, to be implemented by incrementally ramping, in 1/8 dB steps, from the current level to the new level at a rate of 1 dB per 8 left/right clock periods.

#### Soft Ramp DSD

Soft Ramp allows level changes, both muting and attenuation, to be implemented by incrementally ramping, in 1/8 dB steps, from the current level to the new level at a rate of 1 dB per 512 DSD\_SCLK periods (1024 periods if 128x DSD\_SCLK is used).

#### Soft Ramp and Zero Cross

Soft Ramp and Zero Cross Enable dictate that signal-level changes, either by attenuation changes or muting, will occur in 1/8 dB steps and be implemented on a signal zero crossing. The 1/8 dB level change will occur after a time-out period between 512 and 1024 sample periods (10.7 ms to 21.3 ms at 48 kHz sample rate) if the signal does not encounter a zero crossing. The zero cross function is independently monitored and implemented for each channel.

### 7.7.2 **Soft Volume Ramp-up after Error (RMP\_UP) Bit 5**

Function:

An un-mute will be performed after executing an LRCK/MCLK ratio change or error, and after changing the Functional Mode.

When set to 1 (default), this un-mute is effected, similar to attenuation changes, by the Soft and Zero Cross bits in the Volume and Mixing Control register.

When set to 0, an immediate un-mute is performed in these instances.

**Notes:** For best results, it is recommended that this feature be used in conjunction with the RMP\_DN bit.

### 7.7.3 **Soft Ramp-down before Filter Mode Change (RMP\_DN) Bit 4**

Function:

If either the FILT\_SEL or DEM bits are changed the DAC will stop conversion for a period of time to change its filter values. This bit selects how the data is effected prior to and after the change of the filter values.

When set to 1 (default), a mute will be performed prior to executing a filter mode change and an un-mute will be performed after executing the filter mode change. This mute and un-mute are effected, similar to attenuation changes, by the Soft and Zero Cross bits in the Volume and Mixing Control register.

When set to 0, an immediate mute is performed prior to executing a filter mode change.

**Notes:** For best results, it is recommended that this feature be used in conjunction with the RMP\_UP bit.

### 7.7.4 **Interpolation Filter Select (FILT\_SEL) Bit 2**

Function:

When set to 0 (default), the Interpolation Filter has a fast roll off.

When set to 1, the Interpolation Filter has a slow roll off.

The specifications for each filter can be found in the Analog characteristics table, and response plots can be found in figures 20 to 43 found in the “Appendix” on page 41.

### 7.7.5 **Direct DSD Conversion (DIR\_DSD) Bit 0**

Function:

When set to 0 (default), DSD input data is sent to the DSD processor for filtering and volume control functions.

When set to 1, DSD input data is sent directly to the switched capacitor DACs for a pure DSD conversion. In this mode, the full-scale DSD and PCM levels will not be matched (see Section 2), the dynamic range performance may be reduced, the volume control is inactive, and the 50 kHz low pass filter is not available (see Section 2 for filter specifications).

## 7.8 Misc. Control - Register 08h

7	6	5	4	3	2	1	0
PDN	CPEN	FREEZE	MCLKDIV2	MCLKDIV3	Reserved	Reserved	Reserved
1	0	0	0	0	0	0	0

### 7.8.1 Power Down (PDN) Bit 7

Function:

When set to 1 (default), the entire device enters a low-power state, and the contents of the control registers is retained. The power-down bit defaults to '1' on power-up and must be disabled before normal operation in Control Port mode can occur. This bit is ignored if CPEN is not set.

### 7.8.2 Control Port Enable (CPEN) Bit 6

Function:

This bit is set to 0 by default, allowing the device to power-up in Stand-Alone Mode. Control Port Mode can be accessed by setting this bit to 1. This allows operation of the device to be controlled by the registers, and the pin definitions will conform to Control Port Mode.

### 7.8.3 Freeze Controls (Freeze) Bit 5

Function:

When set to 1, this function allows modifications to be made to the registers without the changes taking effect until FREEZE is set back to 0. To make multiple changes in the Control Port registers take effect simultaneously, enable the FREEZE bit, make all register changes, then disable the FREEZE bit.

When set to 0 (default), register changes take effect immediately.

### 7.8.4 Master Clock Divide-by-2 ENABLE (MCLKDIV2) Bit 4

Function:

When set to 1, the MCLKDIV bit enables a circuit which divides the externally applied MCLK signal by 2 prior to all other internal circuitry.

When set to 0 (default), MCLK is unchanged.

### 7.8.5 Master Clock Divide-by-3 ENABLE (MCLKDIV3) Bit 3

Function:

When set to 1, the MCLKDIV bit enables a circuit that divides the externally applied MCLK signal by 3 prior to all other internal circuitry.

When set to 0 (default), MCLK is unchanged.

## 7.9 Misc. Control - Register 09h

7	6	5	4	3	2	1	0
Reserved	Reserved	Reserved	Reserved	STATIC_DSD	INVALID_DSD	DSD_PM_MODE	DSD_PM_EN
0	0	0	0	1	0	0	0

### 7.9.1 Static DSD Detect (*Static\_DSD*) Bit 3

Function:

When set to 1 (default), the DSD processor checks for 28 consecutive zeroes or ones and, if detected, sends a mute signal to the DACs. The MUTE pins will eventually go active according to the DAMUTE register.

When set to 0, this function is disabled.

### 7.9.2 Invalid DSD Detect (*Invalid\_DSD*) Bit 2

Function:

When set to 1, the DSD processor checks for greater than 24 out of 28 bits of the same value and, if detected, will attenuate the data sent to the DACs. The MUTE pins go active according to the DAMUTE register.

When set to 0 (default), this function is disabled.

### 7.9.3 DSD Phase Modulation Mode Select (*DSD\_PM\_mode*) Bit 1

Function:

When set to 0 (default), the 128Fs (BCKA) clock should be input to DSD\_SCLK for phase modulation mode. (See Figure 13 on page 24)

When set to 1, the 64Fs (BCKD) clock should be input to DSD\_SCLK for phase modulation mode.

### 7.9.4 DSD Phase Modulation Mode Enable (*DSD\_PM\_EN*) Bit 0

Function:

When set to 1, DSD phase modulation input mode is enabled and the DSD\_PM\_MODE bit should be set accordingly.

When set to 0 (default), this function is disabled (DSD normal mode).

## **8. PARAMETER DEFINITIONS**

### **Total Harmonic Distortion + Noise (THD+N)**

THD+N is the ratio of the rms value of the signal to the rms sum of all other spectral components over the specified bandwidth (typically 10 Hz to 20 kHz), including distortion components. Expressed in decibels.

### **Dynamic Range**

The ratio of the full-scale rms value of the signal to the rms sum of all other spectral components over the specified bandwidth. Dynamic range is a signal-to-noise measurement over the specified bandwidth made with a -60 dBFS signal. 60 dB is then added to the resulting measurement to refer the measurement to full scale. This technique ensures that the distortion components are below the noise level and do not effect the measurement. This measurement technique has been accepted by the Audio Engineering Society, AES17-1991, and the Electronic Industries Association of Japan, EIAJ CP-307.

### **Interchannel Isolation**

A measure of crosstalk between the left and right channels. Measured for each channel at the converter's output with all zeros to the input under test and a full-scale signal applied to the other channel. Units in decibels.

### **Interchannel Gain Mismatch**

The gain difference between left and right channels. Units in decibels.

### **Gain Error**

The deviation from the nominal full-scale analog output for a full-scale digital input.

### **Gain Drift**

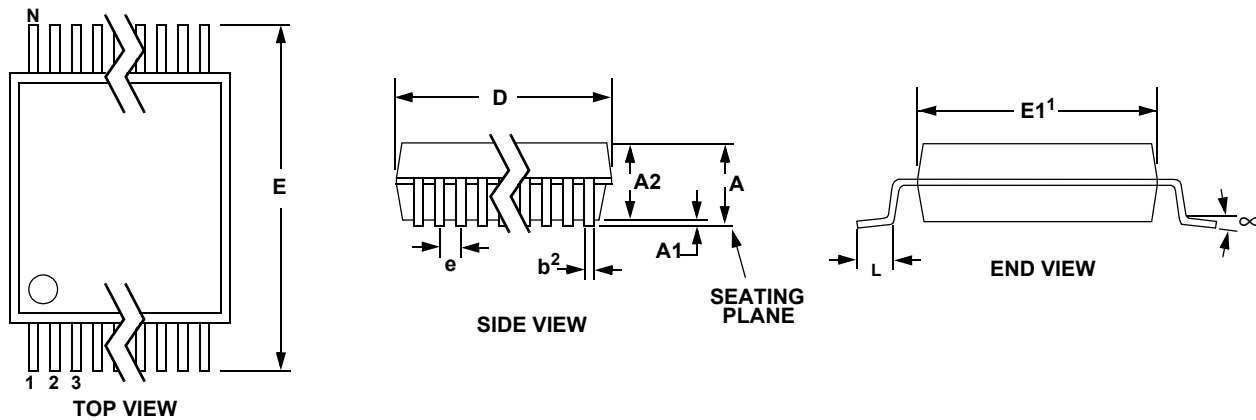
The change in gain value with temperature. Units in ppm/°C.

## **9. REFERENCES**

1. CDB4398 Evaluation Board Datasheet
2. "Design Notes for a 2-Pole Filter with Differential Input". Cirrus Logic Application Note AN48
3. The I<sup>2</sup>C-Bus Specification: Version 2.0" Philips Semiconductors, December 1998.  
<http://www.semiconductors.philips.com> "

## 10. PACKAGE DIMENSIONS

### 10.1 28-TSSOP



DIM	Inches			Millimeters			Note
	MIN	NOM	MAX	MIN	NOM	MAX	
A	--	--	0.47	--	--	1.20	
A1	0.002	0.004	0.006	0.05	0.10	0.15	
A2	0.03150	0.035	0.04	0.80	0.90	1.00	
b	0.00748	0.0096	0.012	0.19	0.245	0.30	2,3
D	0.378 BSC	0.382 BSC	0.386 BSC	9.60 BSC	9.70 BSC	9.80 BSC	1
E	0.248	0.2519	0.256	6.30	6.40	6.50	
E1	0.169	0.1732	0.177	4.30	4.40	4.50	1
e	--	0.026 BSC	--	--	0.65 BSC	--	
L	0.020	0.024	0.029	0.50	0.60	0.75	
$\mu$	0°	4°	8°	0°	4°	8°	

**JEDEC #: MO-153**  
Controlling Dimension is Millimeters.

Figure 19. 28L TSSOP (4.4 mm Body) Package Drawing

#### Notes:

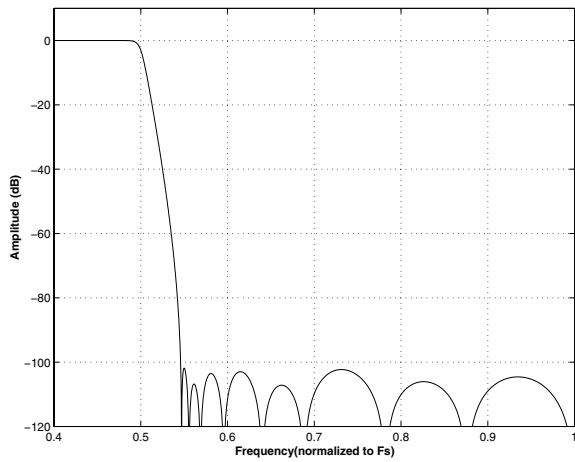
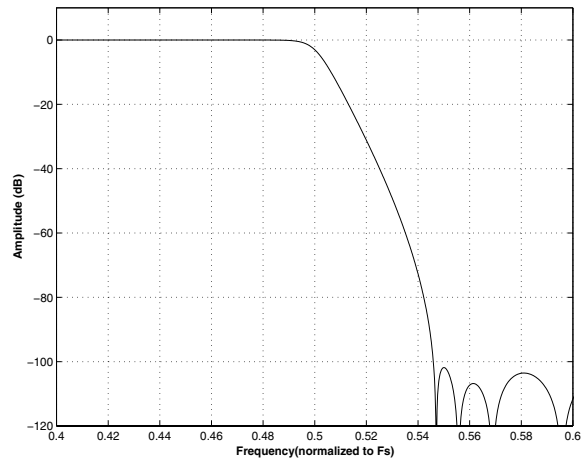
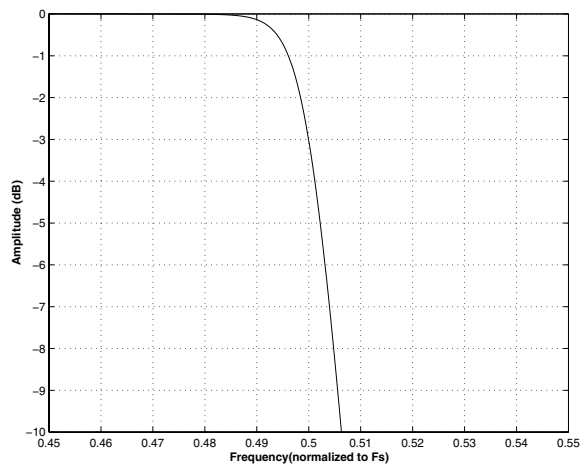
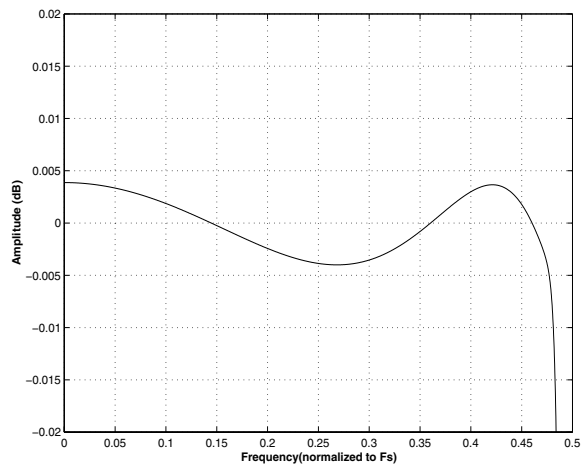
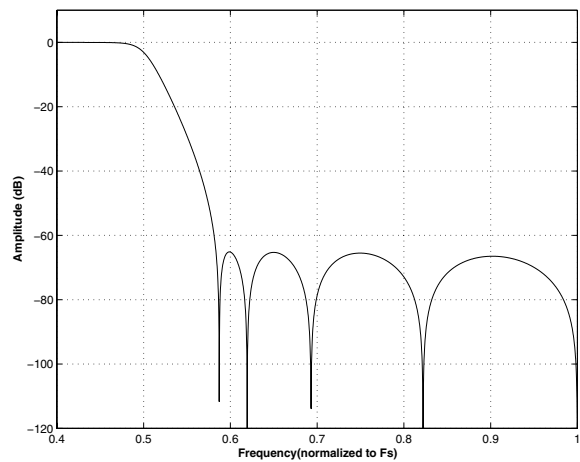
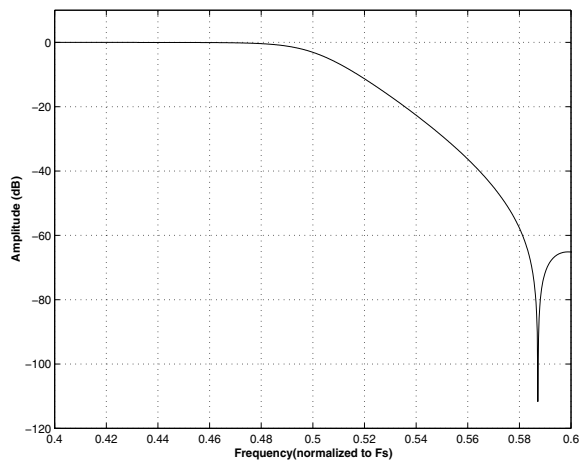
1. "D" and "E1" are reference datums and do not include mold flash or protrusions, but do include mold mismatch and are measured at the parting line, mold flash or protrusions shall not exceed 0.20 mm per side.
2. Dimension "b" does not include dambar protrusion/intrusion. Allowable dambar protrusion shall be 0.13 mm total in excess of "b" dimension at maximum material condition. Dambar intrusion shall not reduce dimension "b" by more than 0.07 mm at least material condition.
3. These dimensions apply to the flat section of the lead between 0.10 and 0.25 mm from lead tips.

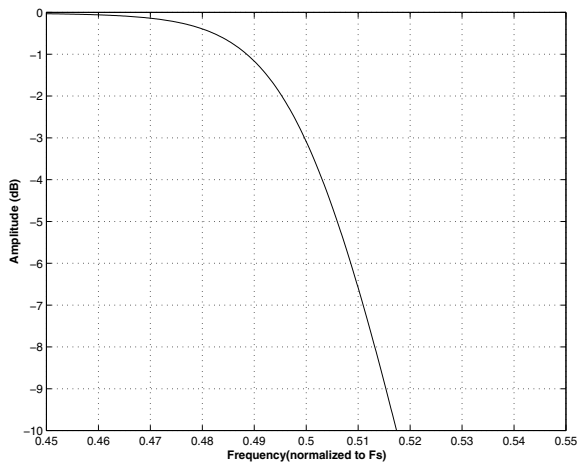
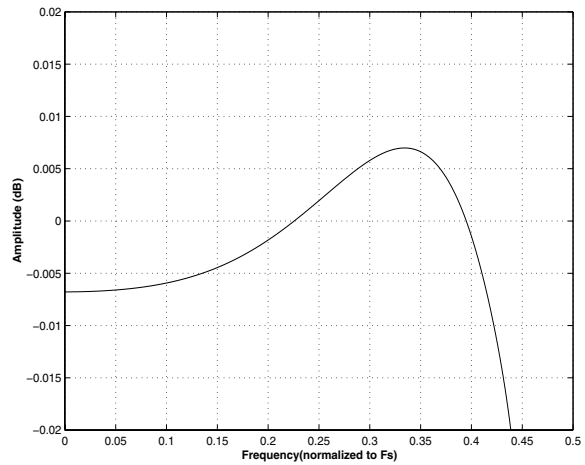
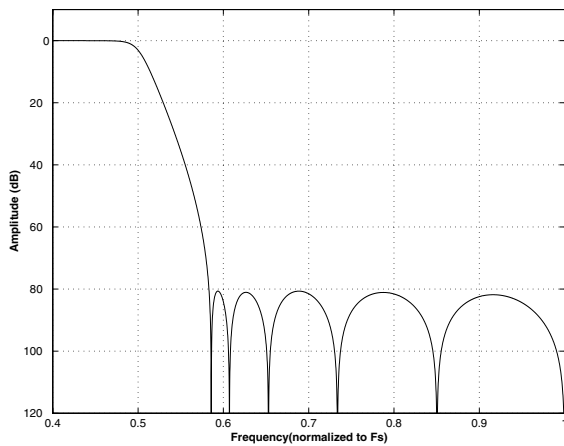
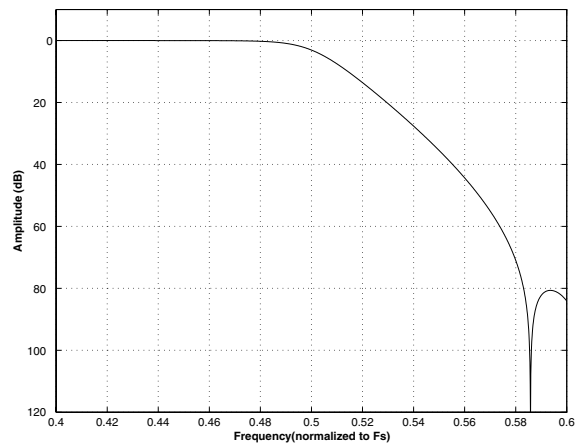
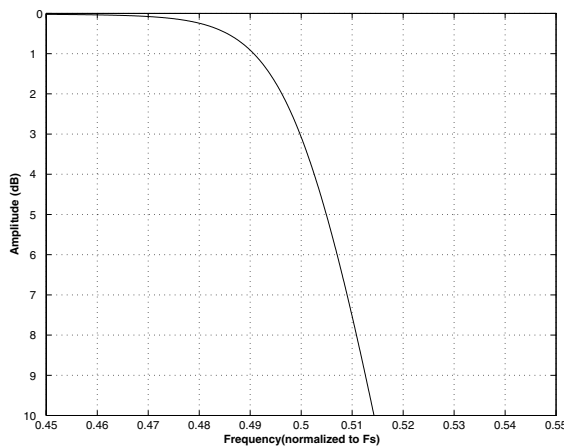
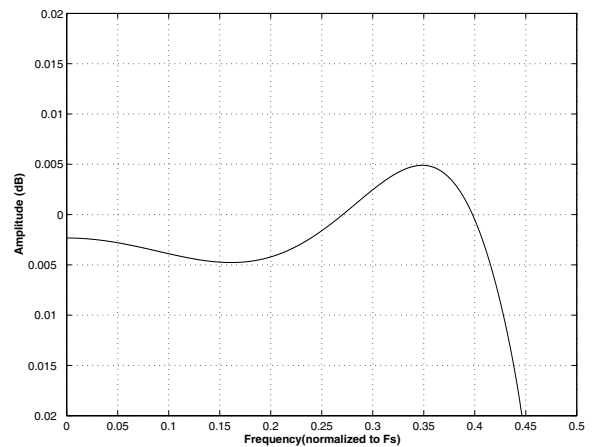
## THERMAL CHARACTERISTICS AND SPECIFICATIONS

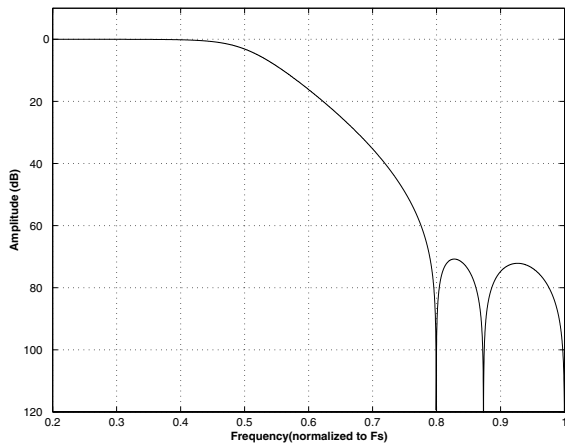
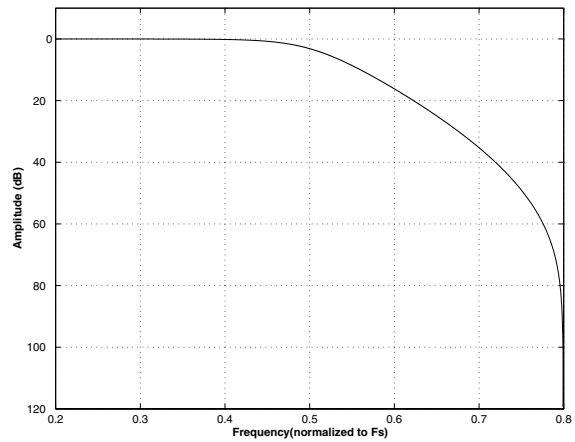
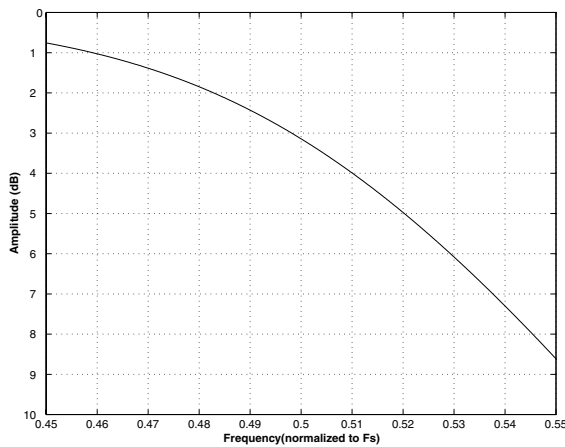
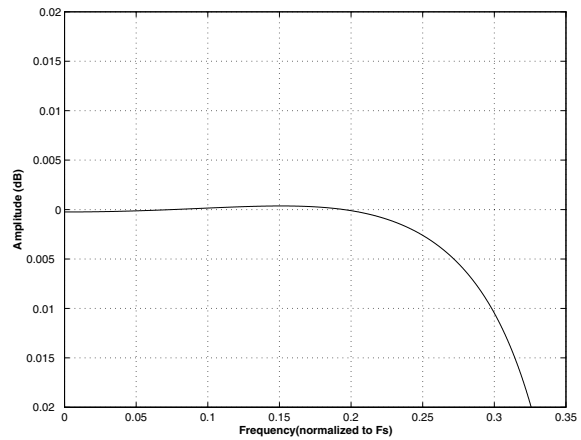
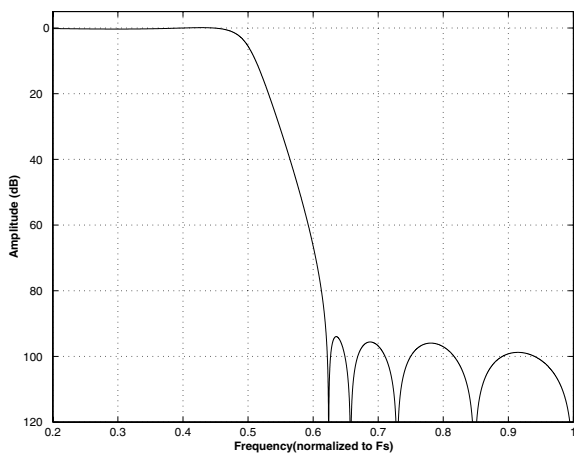
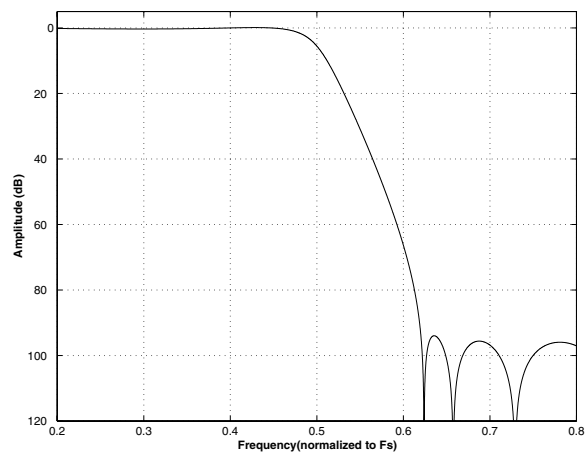
Parameters	Symbol	Min	Typ	Max	Units
Package Thermal Resistance (Note 4)	$\theta_{JA}$	-	37	-	°C/Watt
	$\theta_{JC}$	-	13	-	°C/Watt

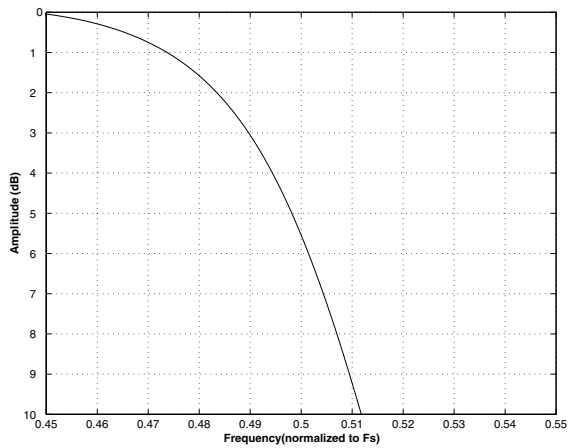
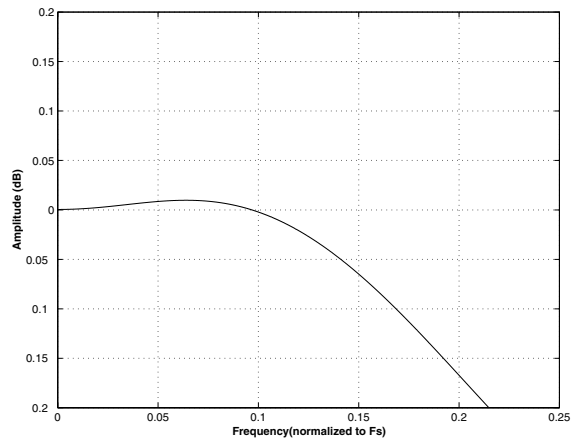
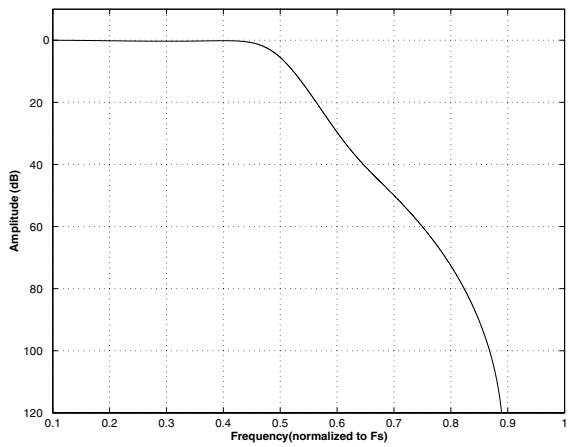
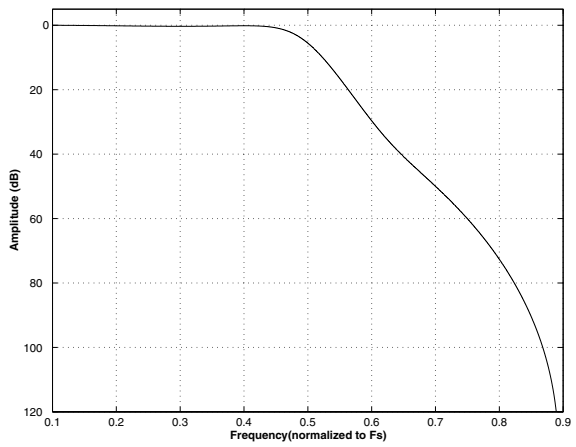
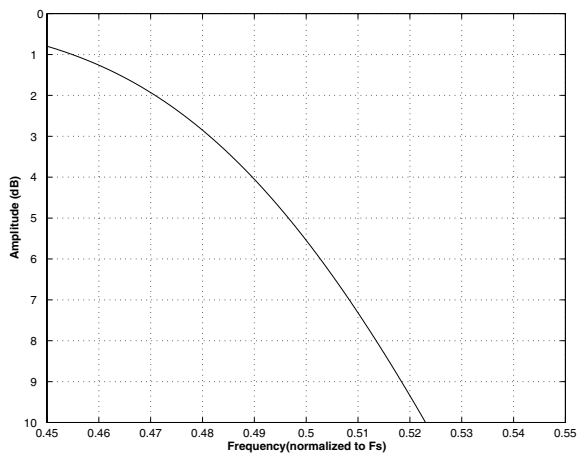
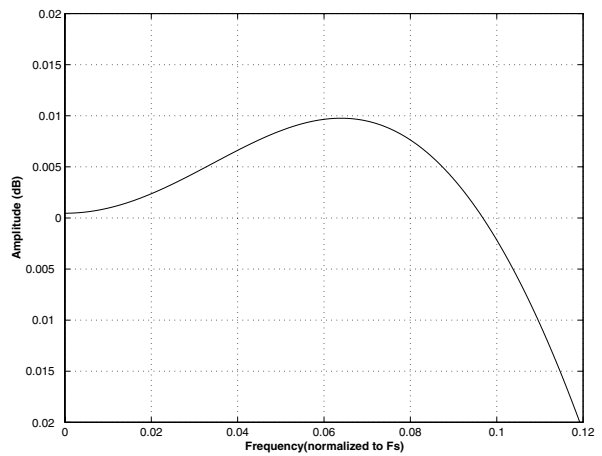
4.  $\theta_{JA}$  is specified according to JEDEC specifications for multi-layer PCBs.



**11.APPENDIX**

**Figure 20. Single-Speed (fast) Stopband Rejection**

**Figure 21. Single-Speed (fast) Transition Band**

**Figure 22. Single-Speed (fast) Transition Band (detail)**

**Figure 23. Single-Speed (fast) Passband Ripple**

**Figure 24. Single-Speed (slow) Stopband Rejection**

**Figure 25. Single-Speed (slow) Transition Band**


**Figure 26. Single-Speed (slow) Transition Band (detail)**

**Figure 27. Single-Speed (slow) Passband Ripple**

**Figure 28. Double-Speed (fast) Stopband Rejection**

**Figure 29. Double-Speed (fast) Transition Band**

**Figure 30. Double-Speed (fast) Transition Band (detail)**

**Figure 31. Double-Speed (fast) Passband Ripple**


**Figure 32. Double-Speed (slow) Stopband Rejection**

**Figure 33. Double-Speed (slow) Transition Band**

**Figure 34. Double-Speed (slow) Transition Band (detail)**

**Figure 35. Double-Speed (slow) Passband Ripple**

**Figure 36. Quad-Speed (fast) Stopband Rejection**

**Figure 37. Quad-Speed (fast) Transition Band**


**Figure 38. Quad-Speed (fast) Transition Band (detail)**

**Figure 39. Quad-Speed (fast) Passband Ripple**

**Figure 40. Quad-Speed (slow) Stopband Rejection**

**Figure 41. Quad-Speed (slow) Transition Band**

**Figure 42. Quad-Speed (slow) Transition Band (detail)**

**Figure 43. Quad-Speed (slow) Passband Ripple**

Release	Date	Changes
A1	November 2002	Initial Release
PP1	July 2003	<ul style="list-style-type: none"> <li>-Updated Legal Notice on page 46.</li> <li>-Moved Min/Max/Typ spec note from “ANALOG CHARACTERISTICS” (on page 9) to “CHARACTERISTICS AND SPECIFICATIONS” on page 8.</li> <li>-Changed heading “RECOMMENDED OPERATING CONDITIONS” to “SPECIFIED OPERATING CONDITIONS” on page 8.</li> <li>-Updated Full-scale Output Specifications on page 9</li> <li>-Updated FILT+ nominal Voltage Specification on page 17</li> <li>-Added control port note to Table 1 on page 21</li> <li>-Added 64x MCLK ratio note to Table 2 on page 22</li> <li>-Changed default value of DIF0 in register 02h on page 28 and</li> <li>-Updated the definition of the “Digital Volume Control (VOL7:0) Bits 7-0” on page 34</li> </ul>
PP2	February 2004	<ul style="list-style-type: none"> <li>-Updated front page block diagram</li> <li>-Updated front page THD+N spec</li> <li>-Added Note for -CZZ package option</li> <li>-Updated Legal Notice</li> <li>-Corrected 768x mode in tables 1 and 2 to use MCLKDIV2</li> <li>-Added note for 0 dB-SACD to ANALOG CHARACTERISTICS</li> <li>-Updated Typ and Max THD+N specs</li> <li>-Updated Full-scale output levels</li> <li>-Updated VIL spec</li> <li>-Updated VOH and VOL levels and conditions</li> <li>-Updated Max sample rate specs</li> <li>-Updated recommended FILT+ capacitor value in Typical Connection Diagram</li> <li>-Corrected ATAPI table values 19d and 23d</li> </ul>
PP3	September 2004	Updated DS w/ lead-free device ordering info.
PP4	May 2005	<ul style="list-style-type: none"> <li>-Removed -CZ ordering option (PCN_0044 dated Jan. 2005)</li> <li>-Improved Interchannel Isolation specification</li> <li>-Updated analog output impedance</li> <li>-Corrected Ramp_UP and Ramp_DN bit descriptions</li> <li>-Updated legal text</li> </ul>
F1	July 2005	<ul style="list-style-type: none"> <li>-Changed datasheet status to Final</li> <li>-Updated legal text</li> </ul>

**Table 8. Revision Table**

---

## Contacting Cirrus Logic Support

For all product questions and inquiries contact a Cirrus Logic Sales Representative.

To find one nearest you go to [www.cirrus.com](http://www.cirrus.com)

---

### IMPORTANT NOTICE

Cirrus Logic, Inc. and its subsidiaries ("Cirrus") believe that the information contained in this document is accurate and reliable. However, the information is subject to change without notice and is provided "AS IS" without warranty of any kind (express or implied). Customers are advised to obtain the latest version of relevant information to verify, before placing orders, that information being relied on is current and complete. All products are sold subject to the terms and conditions of sale supplied at the time of order acknowledgment, including those pertaining to warranty, indemnification, and limitation of liability. No responsibility is assumed by Cirrus for the use of this information, including use of this information as the basis for manufacture or sale of any items, or for infringement of patents or other rights of third parties. This document is the property of Cirrus and by furnishing this information, Cirrus grants no license, express or implied under any patents, mask work rights, copyrights, trademarks, trade secrets or other intellectual property rights. Cirrus owns the copyrights associated with the information contained herein and gives consent for copies to be made of the information only for use within your organization with respect to Cirrus integrated circuits or other products of Cirrus. This consent does not extend to other copying such as copying for general distribution, advertising or promotional purposes, or for creating any work for resale.

CERTAIN APPLICATIONS USING SEMICONDUCTOR PRODUCTS MAY INVOLVE POTENTIAL RISKS OF DEATH, PERSONAL INJURY, OR SEVERE PROPERTY OR ENVIRONMENTAL DAMAGE ("CRITICAL APPLICATIONS"). CIRRUS PRODUCTS ARE NOT DESIGNED, AUTHORIZED OR WARRANTED FOR USE IN AIRCRAFT SYSTEMS, MILITARY APPLICATIONS, PRODUCTS SURGICALLY IMPLANTED INTO THE BODY, AUTOMOTIVE SAFETY OR SECURITY DEVICES, LIFE SUPPORT PRODUCTS OR OTHER CRITICAL APPLICATIONS. INCLUSION OF CIRRUS PRODUCTS IN SUCH APPLICATIONS IS UNDERSTOOD TO BE FULLY AT THE CUSTOMER'S RISK AND CIRRUS DISCLAIMS AND MAKES NO WARRANTY, EXPRESS, STATUTORY OR IMPLIED, INCLUDING THE IMPLIED WARRANTIES OF MERCHANTABILITY AND FITNESS FOR PARTICULAR PURPOSE, WITH REGARD TO ANY CIRRUS PRODUCT THAT IS USED IN SUCH A MANNER. IF THE CUSTOMER OR CUSTOMER'S CUSTOMER USES OR PERMITS THE USE OF CIRRUS PRODUCTS IN CRITICAL APPLICATIONS, CUSTOMER AGREES, BY SUCH USE, TO FULLY INDEMNIFY CIRRUS, ITS OFFICERS, DIRECTORS, EMPLOYEES, DISTRIBUTORS AND OTHER AGENTS FROM ANY AND ALL LIABILITY, INCLUDING ATTORNEYS' FEES AND COSTS, THAT MAY RESULT FROM OR ARISE IN CONNECTION WITH THESE USES.

Cirrus Logic, Cirrus, and the Cirrus Logic logo designs are trademarks of Cirrus Logic, Inc. All other brand and product names in this document may be trademarks or service marks of their respective owners.

SPI is a trademark of Motorola, Inc.